

C-Lube Linear Way MH Linear Way H



C-Lube Linear Way MH

MH



The aquamarine end plate is the symbol of maintenance free.

Track rail

Slide unit

Casing

C-Lube

Ball

End plate

Under seal

Ball retaining band

End seal

Grease nipple

Linear Way H

LWH

Points

- **High rigidity series with the larger load rating among ball types**

High rigidity linear motion rolling guides designed to evenly support high load capacity by incorporating large-diameter balls.

- **Wide range of variations for your needs** For details ▶ P.I-26

As the lineup of 5 types of slide unit shape including the flange type, block type with small width and side mounting type, etc., and 3 types with different slide unit length with same section are available, you can select an optimal product for the specifications of your machine and device.

- **Stainless steels selections superior in corrosion resistance are listed on lineup.** For details ▶ P.I-41

Products made of stainless steel are highly resistant to corrosion, so that they are suitable for applications where rust prevention oil is not preferred, such as in cleanroom environment.

- **Series of ultra seal specification for excellent dust protection performance**

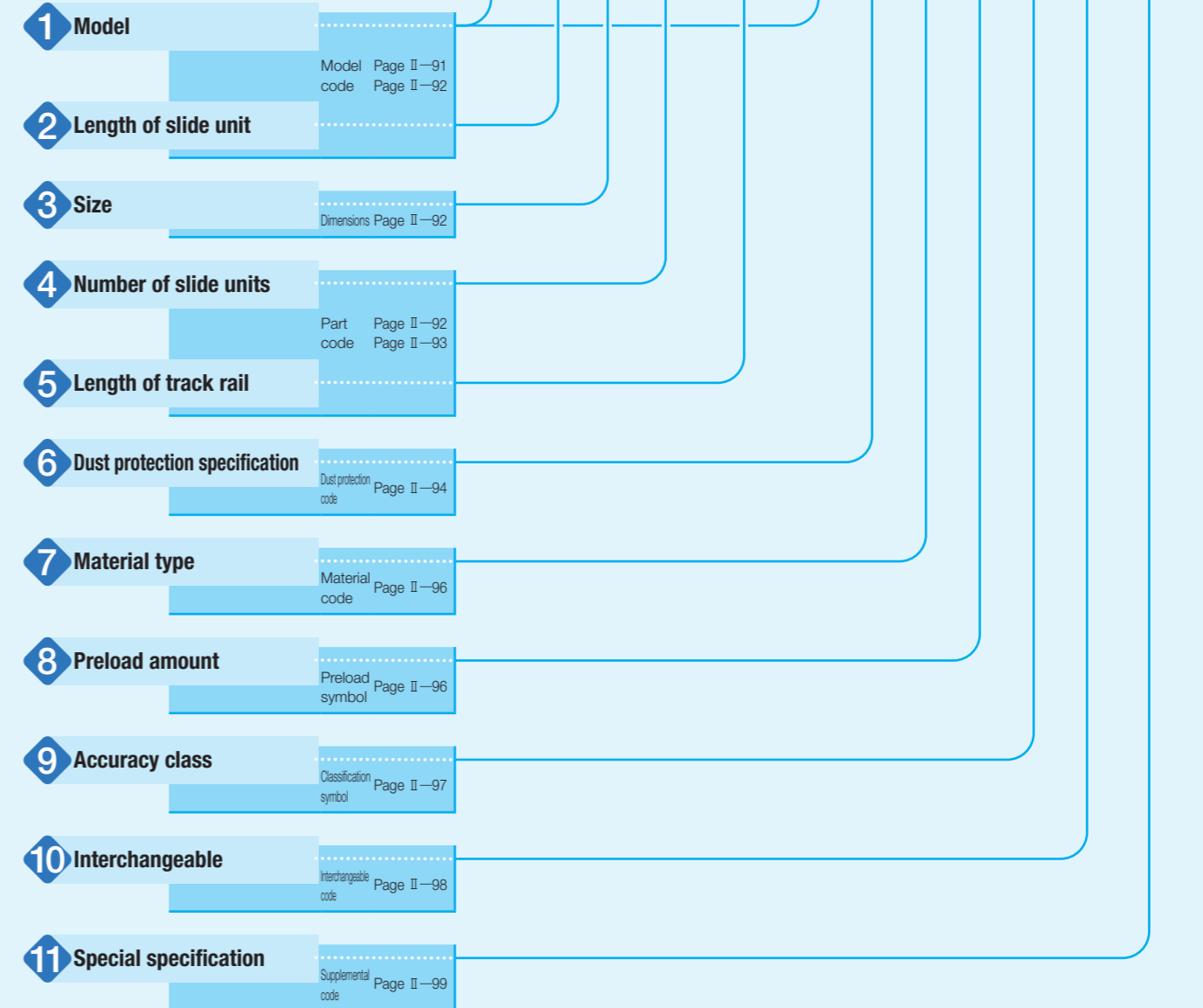
Products of ultra seal specifications have excellent dust protection performance thanks to the combination of the dedicated track rail finished with total ground and slide unit with end seal and under seal of special shapes. Special specification with inner seal further improves dust protection property of the ball circulation section against foreign substances from the upper surface of the track rail.

Identification Number and Specification

Example of an identification number

The specifications of MH and LWH series are indicated by the identification number. Indicate the identification number, consisting of a model code, dimensions, a part code, a dust protection code, a material code, a preload symbol, a classification symbol, an interchangeable code, and any supplemental codes for each specification to apply.

Non-interchangeable specification	1	2	3	4	5	6	7	8	9	10	11
Assembled set	MHT	G	20	C1	R840				T ₁	P	/FV
Interchangeable specification											
Single slide unit	MHT	G	20	C1					T ₁	P	S1 /V
Single track rail (1)	LWH		20		R840	B				P	S1 /F
Assembled set	MHT	G	20	C1	R840				T ₁	P	S1 /FV



Note (1) Indicate "LWH...B" or "LWH" for the model code of the single track rail regardless of the series and the combination of slide unit models.

MH · LWH

Identification Number and Specification — Model —

1 Model	C-Lube Linear Way MH (MH series)	Flange type mounting from bottom : MH Flange type mounting from top ⁽²⁾ : MHT Block type mounting from top : MHD Compact block type mounting from top : MHS
	Linear Way H ⁽¹⁾ (LWH series)	Flange type mounting from bottom : LWH (...B) Flange type mounting from top ⁽²⁾ : LWHT (...B) Block type mounting from top : LWHD (...B) Compact block type mounting from top : LWHS (...B) Side mounting type : LWHY

For applicable models and sizes, see Table 1.1 and Table 1.2.
Indicate "LWH...B" or "LWH" for the model code of the single track rail regardless of the series and the combination of slide unit models.

Notes ⁽¹⁾ This model has no built-in C-Lube.
⁽²⁾ Some models may be mounted upward.

Table 1.1 Models and sizes of MH and LWH series

Material	Shape	Length of slide unit	Model	Size											
				8	10	12	15	20	25	30	35	45	55	65	
High carbon steel made	Flange type mounting from bottom	Standard	MH	-	-	-	○	○	○	○	○	○	-	-	
			LWH...B	-	-	-	○	○	○	○	○	○	○	○	○
		Long	MH...M (U)	-	-	-	-	-	○	○	-	-	-	-	-
			LWH...M (U)	-	-	-	○	○	○	○	○	○	-	-	-
	Flange type mounting from top	Standard	MHG	-	-	-	-	○	○	○	○	○	-	-	
			LWHG	-	-	-	-	○	○	○	○	○	○	○	○
		MHT	MHT	-	-	○ ⁽¹⁾	○	○	○	○	○	○	-	-	
			LWHT...B	-	-	○ ⁽¹⁾⁽²⁾	○	○	○	○	○	○	○	○	○
		MHT...M (U)	MHT...M (U)	-	-	-	-	-	○	○	-	-	-	-	
			LWHT...M (U)	-	-	-	○	○	○	○	○	-	-	-	
		Long	MHTG	-	-	-	○ ⁽¹⁾	○	○	○	○	○	-	-	
			LWHTG	-	-	-	-	○	○	○	○	○	○	○	○
	Extra long	MHTL ⁽¹⁾	-	-	-	-	-	○	○	○	-	-			
	Block type mounting from top	Standard	MHD	-	-	○	○	-	○	○	○	○	-	-	
			LWHD...B	-	-	○ ⁽²⁾	○	-	○	○	○	○	○	○	○
		MHD...M (U)	MHD...M (U)	-	-	-	-	-	○	○	-	-	-	-	
			LWHD...M (U)	-	-	-	○	○	○	○	○	○	-	-	
		Long	MHDG	-	-	-	-	-	○	○	○	○	-	-	
			LWHDG	-	-	-	-	-	○	○	○	○	○	○	○
		Extra long	MHDL	-	-	-	-	-	○	○	○	-	-		
Compact block type mounting from top		Standard	MHS	-	-	-	○	○	○	○	-	-	-	-	
	LWHS...B		-	-	-	○	○	○	○	-	-	-	-		
	MHS...M (U)	MHS...M (U)	-	-	-	-	-	○	○	-	-	-	-		
		LWHS...M (U)	-	-	-	○	○	○	○	-	-	-	-		
	Long	MHSG	-	-	-	○	○	○	○	-	-	-	-		
		LWHSg	-	-	-	-	○	○	○	-	-	-	-		
Side mounting type	Standard	LWHY	-	-	-	○	○	○	○	○	-	-			

Notes ⁽¹⁾ This may be mounted upward.
⁽²⁾ "...B" is not included in the model code.
Remark: For the models indicated in , the interchangeable specification is available.

— Length of Slide Unit · Size · Number of Slide Unit —

2 Length of slide unit	Short	: C	For applicable models and sizes, see Table 1.1 and Table 1.2.
	Standard	: No symbol	
	Long	: G	
	Extra long	: L	
3 Size	8, 10, 12, 15, 20, 25, 30, 35, 45, 55, 65	For applicable models and sizes, see Table 1.1 and Table 1.2.	
	4 Number of slide units	: C○	For an assembled set, indicates the number of slide units assembled on a track rail. For a single slide unit, only "C1" is specified.

Table 1.2 Models and sizes of MH and LWH series

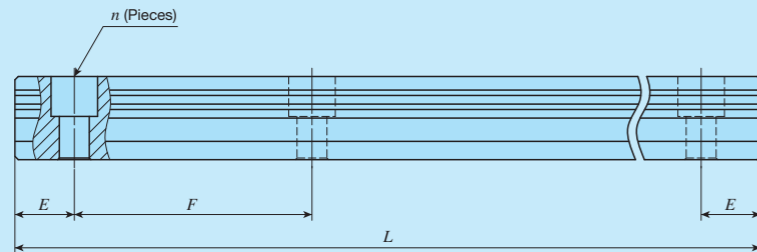
Material	Shape	Slide unit Length	Model	Size											
				8	10	12	15	20	25	30	35	45	55	65	
Stainless steel made	Flange type mounting from bottom	Standard	LWH...SL	-	-	-	○	○	○	○	-	-	-	-	
			MHT...SL	○ ⁽¹⁾	○ ⁽¹⁾	○ ⁽¹⁾	○	○	○	○	-	-	-	-	
	Flange type mounting from top	Standard	LWHT...SL	○ ⁽¹⁾	○ ⁽¹⁾	○ ⁽¹⁾	○	○	○	○	-	-	-	-	
			MHDC...SL	○	○	○	-	-	-	-	-	-	-	-	
	Block type mounting from top	Standard	LWDC...SL	○	○	○	-	-	-	-	-	-	-	-	
			MHD...SL	○	○	○	-	-	-	-	-	-	-	-	
		Long	LWHD...SL	○	○	○	-	-	-	-	-	-	-	-	
			MHDG...SL	○	○	○	-	-	-	-	-	-	-	-	
	Compact block type mounting from top	Standard	MHS...SL	-	-	-	○	○	○	○	-	-	-	-	
			LWHS...SL	-	-	-	○	○	○	○	-	-	-	-	

Note ⁽¹⁾ This may be mounted upward.
Remark: For the models indicated in , the interchangeable specification is available.

5 Length of track rail

: R O Indicate the length of track rail in mm.
For standard and maximum length, see Table 2.1 and Table 2.2.

Table 2.1 Standard and maximum length of high carbon steel track rail



unit: mm

Item	Identification number	MH 12 LWH12	MH 15 LWH15...B	MH 20 LWH20...B	MH 25 LWH25...B	MH 30 LWH30...B
Standard length L (n)		80 (2)	180 (3)	240 (4)	240 (4)	480 (6)
		160 (4)	240 (4)	480 (8)	480 (8)	640 (8)
		240 (6)	360 (6)	660 (11)	660 (11)	800 (10)
		320 (8)	480 (8)	840 (14)	840 (14)	1 040 (13)
		400 (10)	660 (11)	1 020 (17)	1 020 (17)	1 200 (15)
		480 (12)	900 (15)	1 200 (20)	1 200 (20)	1 520 (19)
		560 (14)	1 200 (20)	1 500 (25)	1 500 (25)	2 000 (25)
		640 (16)			1 980 (33)	
		720 (18)				
Pitch of mounting holes F		40	60	60	60	80
E		20	30	30	30	40
Standard E or higher dimensions ⁽¹⁾ below		5.5	7	8	9	10
Maximum length ⁽²⁾		1 480	1 500 (3 000)	1 980 (3 000)	3 000 (3 960)	2 960 (4 000)
Item	Identification number	MH 35 LWH35...B	MH 45 LWH45...B	LWH55...B	LWH65...B	
Standard length L (n)		480 (6)	840 (8)	840 (7)	1 500 (10)	
		640 (8)	1 050 (10)	1 200 (10)	1 950 (13)	
		800 (10)	1 260 (12)	1 560 (13)	3 000 (20)	
		1 040 (13)	1 470 (14)	1 920 (16)		
		1 200 (15)	1 995 (19)	3 000 (25)		
		1 520 (19)				
Pitch of mounting holes F		80	105	120	150	
E		40	52.5	60	75	
Standard E or higher dimensions ⁽¹⁾ below		10	12.5	15	17	
Maximum length ⁽²⁾		2 960 (4 000)	2 940 (3 990)	3 000 (3 960)	3 000 (3 900)	

Notes ⁽¹⁾ This does not apply to female threads for bellows (supplemental code "/J").

⁽²⁾ Length up to the value in () can be produced. If needed, please contact **IKO**.

Remarks 1. A typical identification number is indicated, but is applied to all models of the same size.

2. Indicate "LWH" for series of size 12 or "LWH...B" for series of size 15 or above for the model code of the single track rail regardless of the series and the combination of slide unit models.

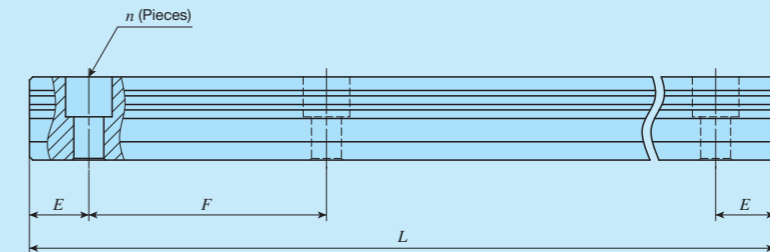
3. For ultra seal specifications, refer to Table 2.3 and Table 2.4.

4. If not directed, E dimensions for both ends will be the same within the range of standard E dimensions. To change the dimensions, indicate the specified rail mounting hole positions "/E" of special specification. For more information, see page III -30.

6 Dust protection specification

Standard specification : No symbol For applicable models and sizes, see Table 1.1 and Table 1.2.
Ultra seal specification : M Each specification of ultra seal specification with track rail mounting from bottom is in compliance to the ultra seal specification.
Ultra seal specification with track rail mounting from bottom : MU Ultra seal specification with track rail mounting from bottom applies to products to fix the track rail on the mounting surface side by pressing in the aluminum alloy caps for rail mounting holes to the mounting hole of the track rail in advance. As the upper surface of the track rail is flat, adhesion to the seal is high and dust protection effect is improved further.
For track rail specifications, see Table 2.3 and Table 2.4.

Table 2.2 Standard and maximum length of stainless steel track rail



unit: mm

Item	Identification number	MH 8...SL LWH8...SL	MH 10...SL LWH10...SL	MH 12...SL LWH12...SL	MH 15...SL LWH15...SL	MH 20...SL LWH20...SL	MH 25...SL LWH25...SL	MH 30...SL LWH30...SL
Standard length L (n)		40 (2)	50 (2)	80 (2)	180 (3)	240 (4)	240 (4)	480 (6)
		80 (4)	100 (4)	160 (4)	240 (4)	480 (8)	480 (8)	640 (8)
		120 (6)	150 (6)	240 (6)	360 (6)	660 (11)	660 (11)	800 (10)
		160 (8)	200 (8)	320 (8)	480 (8)	840 (14)	840 (14)	1 040 (13)
		200 (10)	250 (10)	400 (10)	660 (11)			
		240 (12)	300 (12)	480 (12)				
		280 (14)	350 (14)	560 (14)				
			400 (16)	640 (16)				
			450 (18)	720 (18)				
Pitch of mounting holes F		20	25	40	60	60	60	80
E		10	12.5	20	30	30	30	40
Standard E or higher dimensions ⁽¹⁾ below		4.5	5	5.5	7	8	9	10
Maximum length ⁽²⁾		480 (1 000)	850 (1 000)	1 000 (1 480)	1 200 (1 500)	1 200 (3 000)	1 200 (3 000)	1 200 (2 960)

Notes ⁽¹⁾ This does not apply to female threads for bellows (supplemental code "/J").

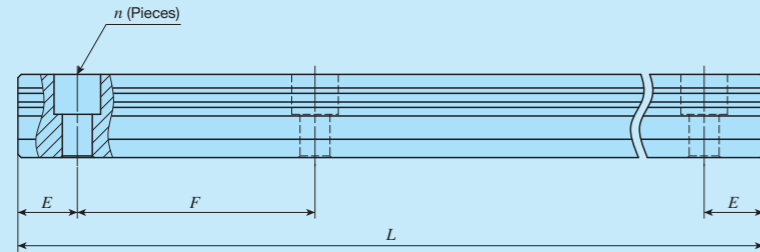
⁽²⁾ Length up to the value in () can be produced. If needed, please contact **IKO**.

Remarks 1. A typical identification number is indicated, but is applied to all models of the same size.

2. Indicate "LWH" for the model code of the single track rail regardless of the series and the combination of slide unit models.

3. If not directed, E dimensions for both ends will be the same within the range of standard E dimensions. To change the dimensions, indicate the specified rail mounting hole positions "/E" of special specification. For more information, see page III -30.

Table 2.3 Standard and maximum length of ultra seal specification high carbon steel track rail



unit: mm

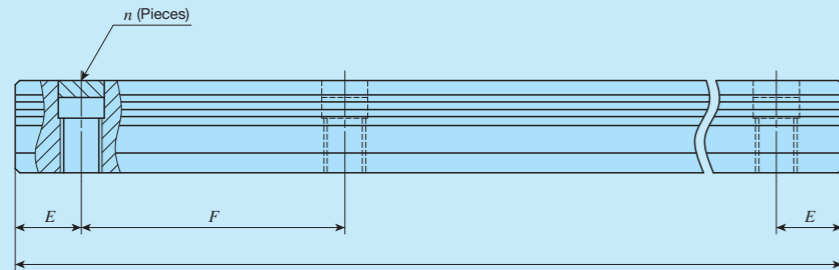
Item	Identification number	LWH15...M	LWH20...M	MH 25...M LWH25...M	MH 30...M LWH30...M	LWH35...M	LWH45...M
Standard length L (n)		180 (3)	240 (4)	240 (4)	480 (6)	480 (6)	840 (8)
		240 (4)	480 (8)	480 (8)	640 (8)	640 (8)	1 050 (10)
		360 (6)	660 (11)	660 (11)	800 (10)	800 (10)	1 260 (12)
		480 (8)	840 (14)	840 (14)	1 040 (13)	1 040 (13)	1 470 (14)
		660 (11)	1 020 (17)	1 020 (17)	1 200 (15)	1 200 (15)	1 995 (19)
		1 200 (20)	1 200 (20)	1 520 (19)	1 520 (19)		
Pitch of mounting holes F		60	60	60	80	80	105
E		30	30	30	40	40	52.5
Standard E or higher dimensions ⁽¹⁾ below	or higher	7	8	9	10	10	12.5
	below	37	38	39	50	50	65
Maximum length		1 500	1 980	3 000	2 960	2 960	2 940
Maximum number of butt-jointing track rails		3	3	3	3	3	3
Maximum length of butt-jointing track rail		4 200	5 640	8 700	8 480	8 480	8 295

Note ⁽¹⁾ This does not apply to female threads for bellows (supplemental code "/J").

Remarks 1. A typical identification number is indicated, but is applied to all models of the same size.

2. If not directed, E dimensions for both ends will be the same within the range of standard E dimensions. To change the dimensions, indicate the specified rail mounting hole positions "/E" of special specification. For more information, see page III - 30.

Table 2.4 Standard and maximum length of ultra seal specification with track rail mounting from bottom



unit: mm

Item	Identification number	LWH15...MU	LWH20...MU	MH 25...MU LWH25...MU	MH 30...MU LWH30...MU	LWH35...MU	LWH45...MU
Standard length L (n)		180 (3)	240 (4)	240 (4)	480 (6)	480 (6)	840 (8)
		240 (4)	480 (8)	480 (8)	640 (8)	640 (8)	1 050 (10)
		360 (6)	660 (11)	660 (11)	800 (10)	800 (10)	1 260 (12)
		480 (8)	840 (14)	840 (14)	1 040 (13)	1 040 (13)	1 470 (14)
		660 (11)	1 020 (17)	1 020 (17)	1 200 (15)	1 200 (15)	1 995 (19)
		1 200 (20)	1 200 (20)	1 520 (19)	1 520 (19)		
Pitch of mounting holes F		60	60	60	80	80	105
E		30	30	30	40	40	52.5
Standard E or higher dimensions ⁽¹⁾ below	or higher	7	8	9	10	10	12.5
	below	37	38	39	50	50	65
Maximum length		1 500	1 980	3 000	2 960	2 960	2 940
Maximum number of butt-jointing track rails		3	3	3	3	3	3
Maximum length of butt-jointing track rail		4 200	5 640	8 700	8 480	8 480	8 295

Note ⁽¹⁾ This does not apply to female threads for bellows (supplemental code "/J").

Remarks 1. A typical identification number is indicated, but is applied to all models of the same size.

2. Track rail mounting bolt is not included.

3. If not directed, E dimensions for both ends will be the same within the range of standard E dimensions. To change the dimensions, indicate the specified rail mounting hole positions "/E" of special specification. For more information, see page III - 30.

7 Material type

High carbon steel made : No symbol For applicable models and sizes, see Table 1.1 and
Stainless steel made ⁽¹⁾ : SL Table 1.2.

Note ⁽¹⁾ Mount a standard grease nipple (brass) on the stainless steel type, too.
Stainless steel grease nipple is also available. If needed, please contact **IKO**.

8 Preload amount

Clearance : T_0 Specify this item for an assembled set or a single slide unit.
Standard : No symbol For details of the preload amount, see Table 3.
Light preload : T_1 For applicable preload types, see Table 4.
Medium preload : T_2
Heavy preload : T_3

Table 3 Preload amount

Preload type	Preload symbol	Preload amount N	Operational conditions
Clearance	T_0	0 ⁽²⁾	· Very light motion
Standard	(No symbol)	0 ⁽³⁾	· Light and precise motion
Light preload	T_1	0.02 C_0	· Almost no vibrations · Load is evenly balanced · Light and precise motion
Medium preload	T_2	0.05 C_0	· Medium vibration · Medium overhung load
Heavy preload	T_3	0.08 C_0	· Operation with vibration and/or shock · Overhanging load applied · Heavy cutting

Notes ⁽²⁾ There is zero or subtle clearance.

⁽³⁾ Indicates zero or minimal amount of preload.

Remark: C_0 indicates the basic static load rating.

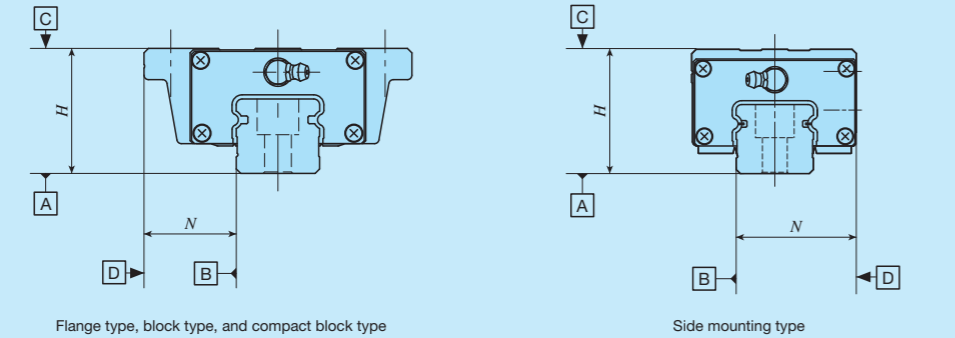
Table 4 Application of preload

Size	Preload type (preload symbol)				
	Clearance (T_0)	Standard (No symbol)	Light preload (T_1)	Medium preload (T_2)	Heavy preload (T_3)
8	○	○	○	—	—
10	○	○	○	—	—
12	○	○	○	—	—
15	—	○	○	○	○
20	—	○	○	○	○
25	—	○	○	○	○
30	—	○	○	○	○
35	—	○	○	○	○
45	—	○	○	○	○
55	—	○	○	○	○
65	—	○	○	○	○

Remark: The mark indicates that interchangeable specification products are available.

9 Accuracy class	High	: H	For interchangeable specification products, assemble a slide unit and a track rail of the same accuracy class. For details of accuracy class, see Table 5.1 and Table 5.2. For applicable accuracy class, see Table 6.
	Precision	: P	
	Super precision	: SP	

Table 5.1 Tolerance and allowance (Series of size 15 or higher)



Item	Class (classification symbol)	High (H)	Precision (P)	Super precision (SP)
Dim. <i>H</i> tolerance		±0.040	±0.020	±0.010
Dim. <i>N</i> tolerance		±0.050	±0.025	±0.015
Dim. variation of <i>H</i> ⁽¹⁾		0.015	0.007	0.005
Dim. variation of <i>N</i> ⁽¹⁾		0.020	0.010	0.007
Dim. variation of <i>H</i> for multiple assembled sets ⁽²⁾		0.035	0.025	—
Slide unit against the A surface Parallelism during running on the C surface		See Fig. 1.1		
Slide unit against the B surface Parallelism during running on the D surface		See Fig. 1.1		

Notes ⁽¹⁾ It means the size variation between slide units mounted on the same track rail.
⁽²⁾ Applicable to the interchangeable specifications.

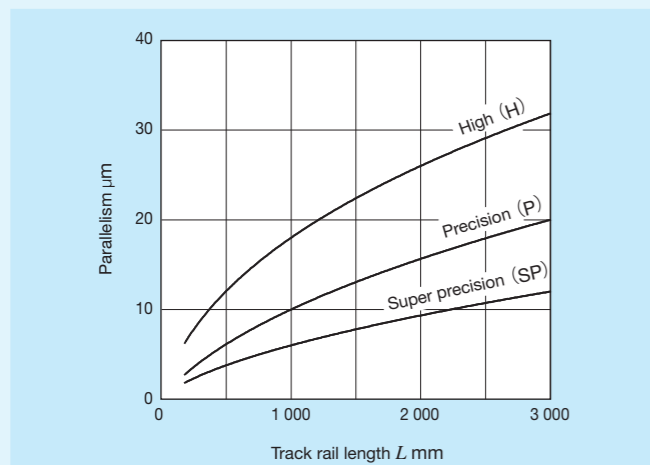
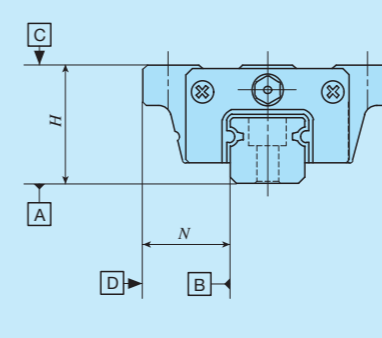


Fig. 1.1 Parallelism in operation (series of Size 15 or higher)

Table 5.2 Tolerance and allowance (Series of size 8 to 12)

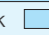


Item	Class (classification symbol)	High (H)	Precision (P)
Dim. <i>H</i> tolerance		±0.020	±0.010
Dim. <i>N</i> tolerance		±0.025	±0.015
Dim. variation of <i>H</i> ⁽¹⁾		0.015	0.007
Dim. variation of <i>N</i> ⁽¹⁾		0.020	0.010
Dim. variation of <i>H</i> for multiple assembled sets ⁽²⁾		0.030	0.020
Parallelism in operation of the slide unit C surface to A surface		See Fig. 1.2	
Parallelism in operation of the slide unit D surface to B surface		See Fig. 1.2	

Notes ⁽¹⁾ It means the size variation between slide units mounted on the same track rail.
⁽²⁾ Applicable to the interchangeable specifications.

Table 6 Application of accuracy class

Size	Class (classification symbol)		
	High (H)	Precision (P)	Super precision (SP)
8	○	○	—
10	○	○	—
12	○	○	—
15	○	○	○
20	○	○	○
25	○	○	○
30	○	○	○
35	○	○	○
45	○	○	○
55	○	○	○
65	○	○	○

Remark: The mark  indicates that interchangeable specification products are available.

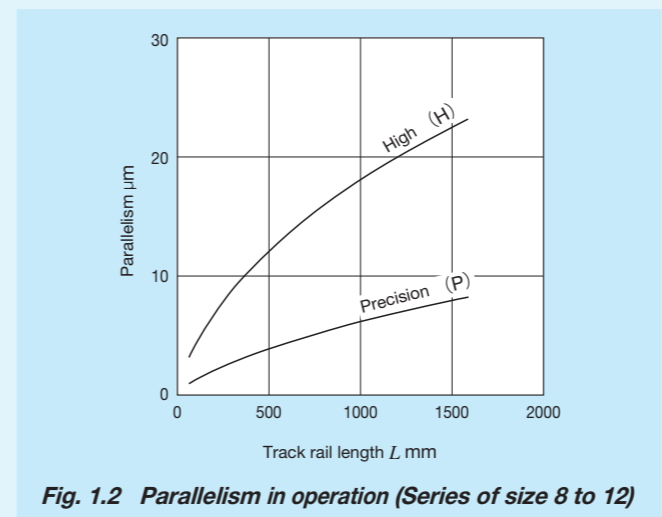


Fig. 1.2 Parallelism in operation (Series of size 8 to 12)

10 Interchangeable

S1 specification	: S1	This is specified for the interchangeable specifications. Assemble a track rail and a slide unit with the same interchangeable code. Performance and accuracy of "S1" and "S2" are the same. For applicable models and sizes, see Table 1.1 and Table 1.2. "No symbol" is indicated for non-interchangeable specification.
S2 specification	: S2	
Non-interchangeable specification	: No symbol	

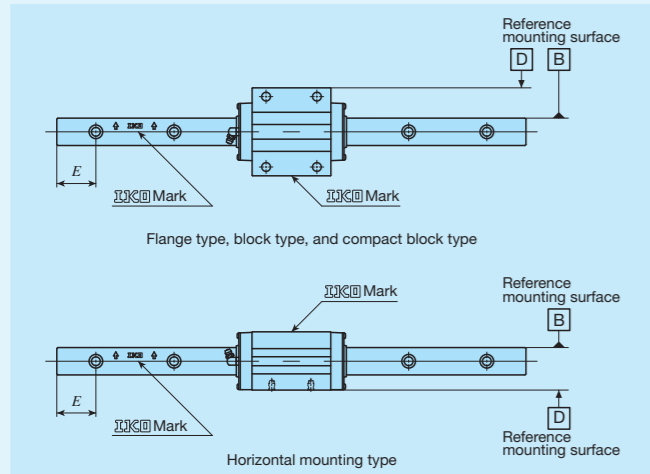


Fig. 2 Specified rail mounting hole positions (Supplemental code /E)

Remark: For details of specified rail mounting hole positions (supplemental code /E), see page III-30.

Table 9.1 Dimension of female threads for bellows (Supplemental code Single unit: /J Assembled set: /J /JJ)

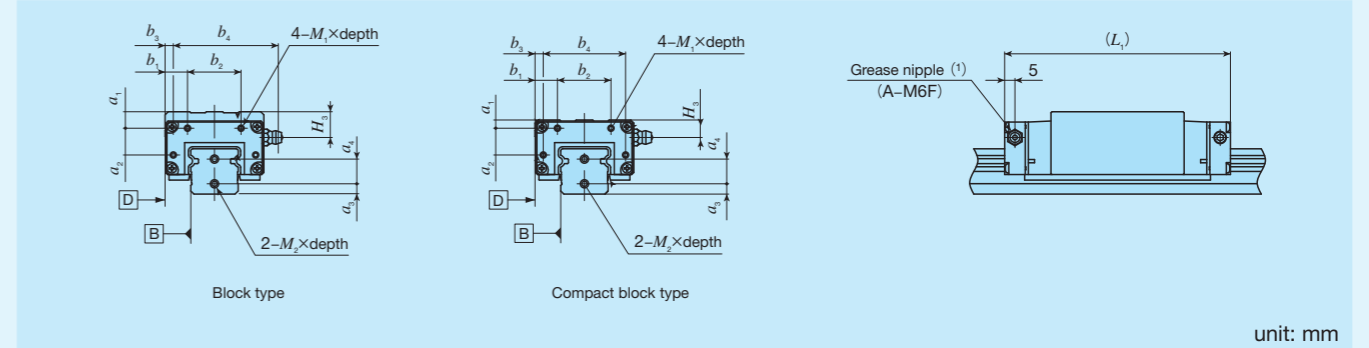
Identification number		Slide unit								Track rail			
		a_1	a_2	b_1	b_2	b_3	b_4	$M_1 \times \text{depth}$	$L_1^{(2)}$	H_3	a_3	a_4	$M_2 \times \text{depth}$
MH(T) 15	LWH(T) 15...B	3	7	15.5	16	9.5	28	M3×6	83	6.5	4	8	M3×6
-	LWH(T) 15...M								86				
MHTG 15	-								99				
MH(T) 20	LWH(T) 20...B	4	10	20.5	22	13.5	36	M3×6	99	8.5	5	9	M4×8
-	LWH(T) 20...M(U)								103				
MH(T)G 20	LWH(T)G 20								128				
MH(T) 25	LWH(T) 25...B	4	13	22	26	15	40	M3×6	110	8.5	5	12	M4×8
MH(T) 25...M(U)	LWH(T) 25...M(U)								115				
MH(T)G 25	LWH(T)G 25								133				
MH(T) 30	LWH(T) 30...B	5	17	28	34	20	50	M3×6	128	11	6	14	M4×8
MH(T) 30...M(U)	LWH(T) 30...M(U)								133				
MH(T)G 30	LWH(T)G 30								154				
MHTL 30	-								200				
MH(T) 35	LWH(T) 35...B	6	20	30	40	20	60	M3×6	137	13	7	15	M4×8
-	LWH(T) 35...M(U)								143				
MH(T)G 35	LWH(T)G 35								165				
MHTL 35	-								213				
MH(T) 45	LWH(T) 45...B	7	26	35	50	23	74	M4×8	160	15	8	19	M5×10
-	LWH(T) 45...M(U)								167				
MH(T)G 45	LWH(T)G 45								203				
MHTL 45	-								251				
-	LWH(T) 55...B	7	32	40	60	27	86	M4×8	196	17	8	25	M5×10
-	LWH(T)G 55								248				
-	LWH(T) 65...B	10	46	50	70	32	106	M5×10	240	20	10	28	M6×12
-	LWH(T)G 65								314				

Notes (1) The specification and mounting positions of grease nipple are different from those of the standard specification product. Provided grease nipple for size 15 models is NPB2 type (special specification). For details of dimensions, contact **IKO**.

(2) Dimensions of the specification that female threads for bellows are fitted to both ends of the slide unit are indicated.

Remark: This is also applicable to stainless steel models of the same size.

Table 9.2 Dimension of female threads for bellows (Supplemental code Single unit: /J Assembled set: /J /JJ)



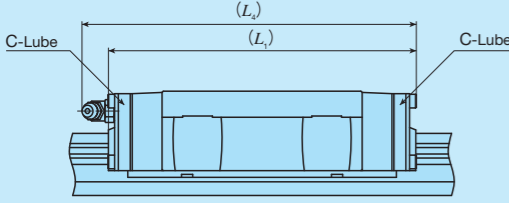
Identification number		Slide unit								Track rail			
		a_1	a_2	b_1	b_2	b_3	b_4	$M_1 \times \text{depth}$	$L_1^{(2)}$	H_3	a_3	a_4	$M_2 \times \text{depth}$
MHD 15	LWHD 15...B	7	7	9	16	3	28	M3×6	83	10.5	4	8	M3×6
-	LWHD 15...M								86				
MHS 15	LWHS 15...B	3	7	9	16	3	28	M3×6	83	6.5	4	8	M3×6
-	LWHS 15...M(U)								86				
MHSG 15	-								99				
MHS 20	LWHS 20...B	4	10	11	22	4	36	M3×6	99	8.5	5	9	M4×8
-	LWHS 20...M(U)								103				
MHSG 20	LWHS 20								128				
MHD 25	LWHD 25...B	8	13	11	26	4	40	M3×6	110	12.5	5	12	M4×8
MHD 25...M(U)	LWHD 25...M(U)								115				
MHDG 25	LWHDG 25								133				
MHS 25	LWHS 25...B	4	13	11	26	4	40	M3×6	110	8.5	5	12	M4×8
MHS 25...M(U)	LWHS 25...M(U)								115				
MHSG 25	LWHS 25								133				
MHD 30	LWHD 30...B	8	17	13	34	5	50	M3×6	128	14	6	14	M4×8
MHD 30...M(U)	LWHD 30...M(U)								133				
MHDG 30	LWHDG 30								154				
MHDL 30	-								200				
MHS 30	LWHS 30...B	5	17	13	34	5	50	M3×6	128	11	6	14	M4×8
MHS 30...M(U)	LWHS 30...M(U)								133				
MHSG 30	LWHS 30								154				
MHD 35	LWHD 35...B	13	20	15	40	5	60	M3×6	137	20	7	15	M4×8
-	LWHD 35...M(U)								143				
MHDG 35	LWHDG 35								165				
MHDL 35	-								213				
MHD 45	LWHD 45...B	17	26	18	50	6	74	M4×8	160	25	8	19	M5×10
-	LWHD 45...M(U)								167				
MHDG 45	LWHDG 45								203				
MHDL 45	-								251				
-	LWHD 55...B	17	32	20	60	7	86	M4×8	196	27	8	25	M5×10
-	LWHDG 55								248				
-	LWHD 65...B	10	46	28	70	10	106	M5×10	240	20	10	28	M6×12
-	LWHDG 65								314				

Notes (1) The specification and mounting positions of grease nipple are different from those of the standard specification product. Provided grease nipple for size 15 models is NPB2 type (special specification). For details of dimensions, contact **IKO**.

(2) Dimensions of the specification that female threads for bellows are fitted to both ends of the slide unit are indicated.

Remark: This is also applicable to stainless steel models of the same size.

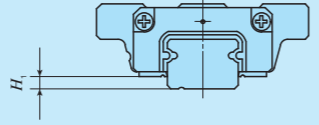
Table 10 Dimension of slide unit with C-Lube plate (Supplemental code /Q)



Identification number	L_1	L_4
LWHDC 8...SL	26	—
LWHT 8...SL	32	—
LWHD 8...SL		
LWHDG 8...SL	38.5	—
LWHDC 10...SL	34	—
LWHT 10...SL	42	—
LWHD 10...SL		
LWHDG 10...SL	50	—
LWHDC 12...SL	44	48
LWHT 12	56	60
LWHD 12		
LWHDG 12...SL	68	72
LWH 15...B	75	78
LWH 20...B	92	105
LWHG 20	121	134
LWH 25...B	105	116
LWHG 25	127	139
LWH 30...B	125	135
LWHG 30	151	161
LWH 35...B	134	146
LWHG 35	162	174
LWH 45...B	160	170
LWHG 45	203	214
LWH 55...B	196	207
LWHG 55	248	258
LWH 65...B	246	253
LWHG 65	321	328

Remarks 1. The dimensions of the slide unit with C-Lube at both ends are indicated.
2. A typical identification number is indicated, but is applied to all LWH series models of the same size.

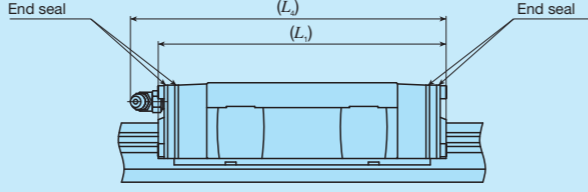
Table 11 H_1 dimension with under seal (Supplemental code /U)



Size	H_1
8	1.5
10	1.8
12	3.2 ⁽¹⁾

Note ⁽¹⁾ The dimensions are the same as those before mounting of under seal.

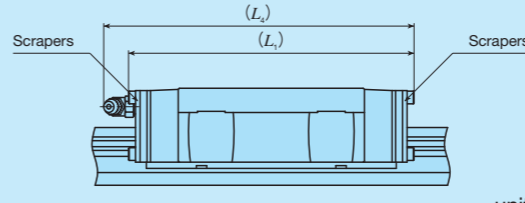
Table 12 Dimension of slide unit with double end seals (Supplemental code Single unit: /V Assembled set: /VV)



Identification number	L_1	L_4	
MH 15	LWH 15...B	72	77
—	LWH 15...M(U)	71	76
MHTG 15	—	88	93
MH 20	LWH 20...B	91	104
—	LWH 20...M(U)	90	103
MHG 20	LWHG 20	119	133
MH 25	LWH 25...B	104	116
MH 25...M(U)	LWH 25...M(U)	103	115
MHG 25	LWHG 25	127	139
MH 30	LWH 30...B	122	134
MH 30...M(U)	LWH 30...M(U)	121	
MHG 30	LWHG 30	148	160
MHL 30	—	194	206
MH 35	LWH 35...B	133	146
—	LWH 35...M(U)		
MHG 35	LWHG 35	161	173
MHL 35	—	209	222
MH 45	LWH 45...B	159	170
—	LWH 45...M(U)	158	
MHG 45	LWHG 45	202	213
MHL 45	—	251	261
—	LWH 55...B	195	206
—	LWHG 55	247	258
—	LWH 65...B	241	251
—	LWHG 65	316	325

Remarks 1. The dimensions of the slide unit with double end seals at both ends are indicated.
2. A typical identification number is indicated, but is applied to all models of the same size.

Table 13 Dimension of slide unit with scrapers (Supplemental code Single unit: /Z Assembled set: /ZZ)



Identification number	L_1	L_4	
MH 15	LWH 15...B	73	75
—	LWH 15...M(U)	72	74
MHTG 15	—	89	91
MH 20	LWH 20...B	91	104
—	LWH 20...M(U)	90	100
MHG 20	LWHG 20	119	133
MH 25	LWH 25...B	104	116
MH 25...M(U)	LWH 25...M(U)	103	112
MHG 25	LWHG 25	126	138
MH 30	LWH 30...B	124	135
MH 30...M(U)	LWH 30...M(U)	123	131
MHG 30	LWHG 30	150	161
MHL 30	—	196	206
MH 35	LWH 35...B	133	146
—	LWH 35...M(U)		
MHG 35	LWHG 35	161	174
MHL 35	—	209	222
MH 45	LWH 45...B	160	170
—	LWH 45...M(U)	159	
MHG 45	LWHG 45	203	214
MHL 45	—	251	262
—	LWH 55...B	196	207
—	LWHG 55	248	258
—	LWH 65...B	242	251
—	LWHG 65	317	326

Remarks 1. The dimensions of the slide unit with scraper at both ends are indicated.
2. A typical identification number is indicated, but is applied to all models of the same size.

Table 15 Parts for lubrication

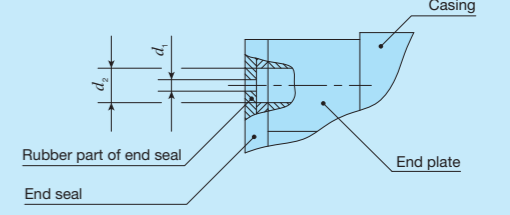
Size	Grease nipple type ⁽¹⁾	Applicable supply nozzle type	Bolt size of female threads for piping
8	Oil hole	Miniature greaser	—
10			—
12			M4
15	A-M3	A-5120V A-5240V	M4
20	A-M4	B-5120V B-5240V	
25	B-M6	Grease gun available on the market	M6
30			
35			
45			
55			
65	JIS type 4	PT1/8	

Note ⁽¹⁾ For grease nipple specification, see Table 14.1 and Table 14.2 on page III-23.
Remark: Stainless steel grease nipple is also available. If needed, please contact **IKO**.

In the series of size 8 to 12 of MH series and LWH series, lithium-soap base grease (MULTEMP PS No.2, KYODO YUSHI) is pre-packed, and in the series of size 15 to 65, lithium-soap base grease with extreme-pressure additive (Alvania EP grease 2, [SHOWA SHELL SEKIYU K. K.]) is pre-packed. Additionally, MH series has C-Lube placed in the recirculation part of balls, so that the interval for reapplying lubricant can be extended and maintenance works such as grease job can be reduced significantly.

MH series and LWH series have grease nipple or oil hole as indicated in Table 15. Supply nozzles fit to each shapes of grease nipple and dedicated supplying equipment (miniature greasers) fit to oil holes are also available. For order of these parts for lubrication, see Table 13 and Table 14.1 on Page III-23, and Table 15 on page III-24.

Table 14 Oil hole specifications



Size	d_1	d_2
8	0.5	1.5
10		

Dust Protection

The slide units of MH series and LWH series are equipped with end seals and under seals as standard for dust protection. However, if large amount of contaminant or dust are floating, or if large particles of foreign substances such as chips or sand may adhere to the track rail, it is recommended to cover the whole unit with bellows or telescope type shield, etc. MH series and LWH series are provided with specific bellows. The bellows are easy to mount and provide excellent dust protection. If needed, please refer to III-26 for ordering. And, track rail mounting from bottom with no mounting hole on the upper surface of the track rail (Figure 3) is also available. If needed, contact **IKO**.

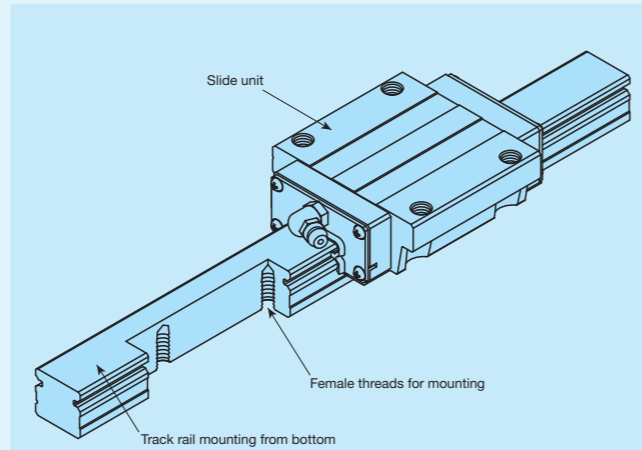


Fig. 3 Track rail mounting from bottom specification

Precaution for Use

1 Mounting surface, reference mounting surface and typical mounting structure

When mounting the MH series and LWH series, properly align the reference mounting surfaces B and D of the track rail and slide unit with the reference mounting surface of the table and bed and fix them. (See Fig. 4.)

The reference mounting surfaces B and D and mounting surfaces A and C are precisely ground. Machining the mounting surface of the table and bed, such as machine or device, to high accuracy and mounting them properly will ensure stable linear motion with high accuracy.

Reference mounting surface of the slide unit is the opposite side of the **IKO** mark. The track rail reference mounting surface is identified by locating the **IKO** mark on the top surface of the track rail. It is the side surface above the mark (in the direction of the arrow). (See Fig. 5.)

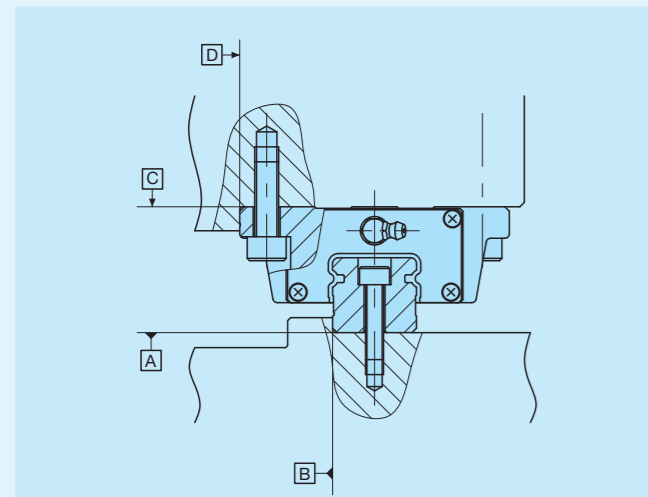


Fig. 4 Reference mounting surface and typical mounting structure

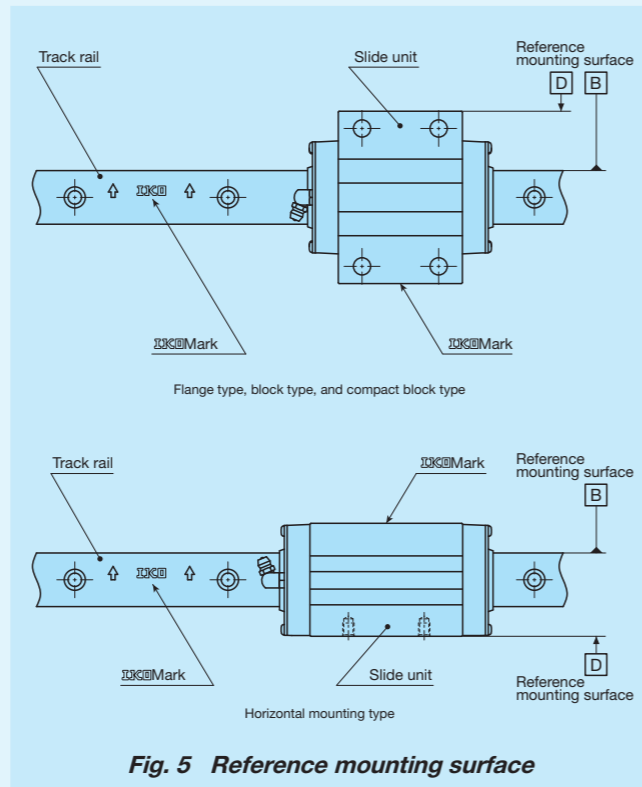


Fig. 5 Reference mounting surface

2 Shoulder height and corner radius of the reference mounting surface

For the opposite corner of the mating reference mounting, it is recommended to have relieved fillet as indicated in Fig. 6. Recommended value for the shoulder height and corner radius on the mating side is indicated in Table 16.

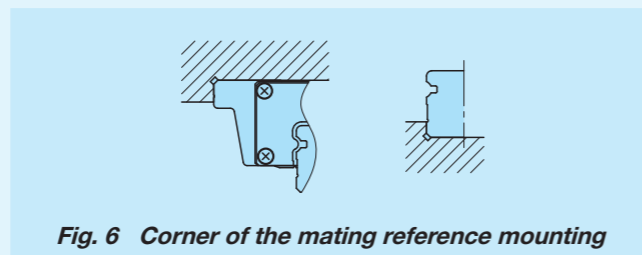
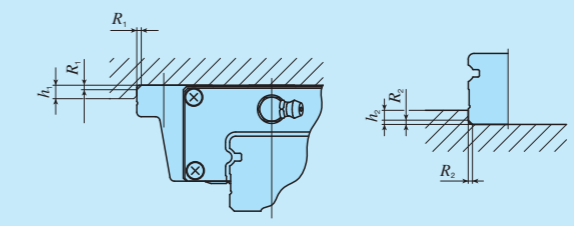


Fig. 6 Corner of the mating reference mounting

Table 16 Shoulder height and corner radius of the reference mounting surface



Size	Mounting part of slide unit		Mounting part of track rail	
	Shoulder height h_1	Corner radius R_1 (Maximum)	Shoulder height h_2	Corner radius R_2 (Maximum)
8	3.5(4) ⁽¹⁾	0.5	1.6 ⁽²⁾	0.2
10	4.5(5) ⁽¹⁾	0.5	1.9 ⁽²⁾	0.2
12	6	0.5	2.7 ⁽²⁾	0.7
15	4	0.5	3	0.5
20	5	0.5	3	0.5
25	6	1	4	1
30	8	1	5	1
35	8	1	6	1
45	8	1.5	7	1.5
55	10	1.5	8	1.5
65	10	1.5	10	1.5

unit: mm

Notes ⁽¹⁾ The values in () are applied to MHD and LWH.

⁽²⁾ For models with under seals (supplemental code "/U"), it is recommended to use the values 0.6 mm smaller than the values in the table.

3 Tightening torque for fixing screw

Typical tightening torque for mounting of the MH series and LWH series to the steel mating member material is indicated in Table 17. When vibration and shock of the machine or device are large, fluctuating load is large, or moment load is applied, fix it by using the torque 1.2 to 1.5 times larger than the value indicated in the table as necessary. If the mating member material is cast iron or aluminum alloy, reduce the tightening torque depending on the strength characteristics of the mating member material.

Table 17 Tightening torque for fixing screw

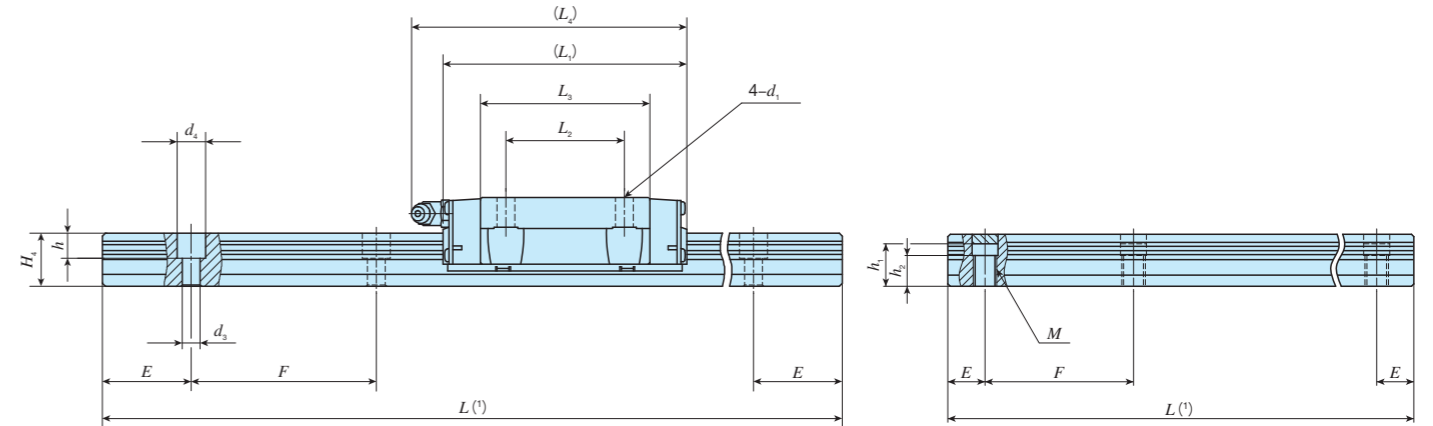
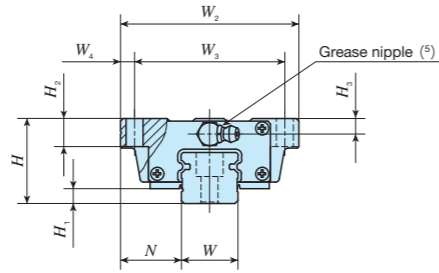
Bolt size	Tightening torque N · m		
	High carbon steel-made screw		Stainless steel-made screw
	Size: 12	Size: 15 to 65	
M 1.6×0.35	—	—	0.15
M 2 ×0.4	—	—	0.31
M 2.3×0.4	—	—	0.49
M 2.6×0.45	—	—	0.70
M 3 ×0.5	1.3	—	1.1
M 4 ×0.7	2.9	4.1	2.5
M 5 ×0.8	—	8.0	5.0
M 6 ×1	—	13.6	8.5
M 8 ×1.25	—	32.7	20.4
M10 ×1.5	—	63.9	40.0
M12 ×1.75	—	110	—
M14 ×2	—	175	—
M16 ×2	—	268	—

Remark: The tightening torque for high carbon steel-made screws is calculated based on strength division 8.8 for series of size 12, and strength division 12.9 for series of size 15 to 65.

IKO C-Lube Linear Way MH

Flange type mounting from bottom

Shape	MH · LWH				
Size	15	20	25	30	35
	45	55	65		



Ultra seal specification with track rail mounting from bottom

Identification number	Interchangeable	Mass (Ref.)	Dimensions of assembly mm	Dimensions of slide unit mm													Dimensions of track rail mm						Appended mounting bolt for track rail (3) mm	Basic dynamic load rating (4) N	Basic static load rating (4) N	Static moment rating (4)							
				Slide unit kg	Track rail kg/m	H	H1	N	W2	W3	W4	L1	L2	L3	L4	d1	H2	H3	W	H4	d3	d4				h	M	h1(2)	h2	E	F	Bolt size × ℓ	C
MH 15	○	0.22	1.47	24	4.5	16	47	38	4.5	66	30	44.2	69	4.5	7	4.5	15	15	4.5	8	6	-	-	-	30	60	M4×16	11 600	13 400	112	95.6	556	95.6
LWH 15...B	○											44.6																					
LWH 15...SL	○											44.6																					
LWH 15...MU*	○											44.6																					
MH 20	○	0.48	2.56	30	5	21.5	63	53	5	83	40	56	94	6	10	5.5	20	18	6	9.5	8.5	-	-	-	30	60	M5×18	18 100	21 100	232	195	1 090	195
LWH 20...B	○											57.2																					
LWH 20...SL	○											57.2																					
LWH 20...MU*	○											57.2																					
MHG 20	○	0.71								112		84.8	122																				
LWHG 20	○											86																					
MH 25	○	0.70	3.50	36	6.5	23.5	70	57	6.5	95	45	63.9	105	7	10	6.5	23	22	7	11	9	-	-	-	30	60	M6×22	25 200	28 800	362	309	1 690	309
LWH 25...B	○											64.7																					
LWH 25...SL	○											64.7																					
LWH 25...MU*	○											64.7																					
LWH 25...MU*	○											64.7																					
LWH 25...MU*	○											64.7																					
MHG 25	○	0.93								118		86.6	128																				
LWHG 25	○											87.4																					

Notes (1) Track rail lengths L are shown in Table 2.1 on page II-93, Table 2.2 on page II-94, and Tables 2.3 and 2.4 on page II-95.

(2) Choose bolts whose dimension allow fixing thread depth into track rail to be less than h_1 .

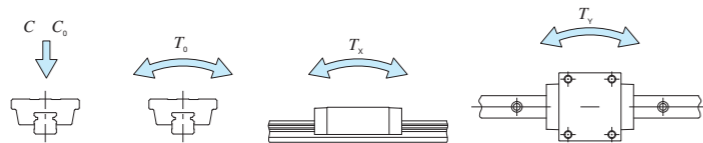
(3) The appended track rail mounting bolts are hexagon socket head bolts equivalent to JIS B 1176. For stainless steel model, stainless steel bolts are appended.

In an assembled set of MH series and LWH...MU model, track rail mounting bolts are not appended.

(4) The direction of basic dynamic load rating (C), basic static load rating (C_0), and static moment rating (T_0 , T_x , T_y) are shown in the sketches below. The upper values of T_x and T_y are for one slide unit and the lower values are for two slide units in close contact.

(5) The shapes of grease nipple vary by size. The specifications are shown in Table 15 on page II-104.

Remark: The identification numbers with * are our semi-standard items.



Example of identification number of assembled set

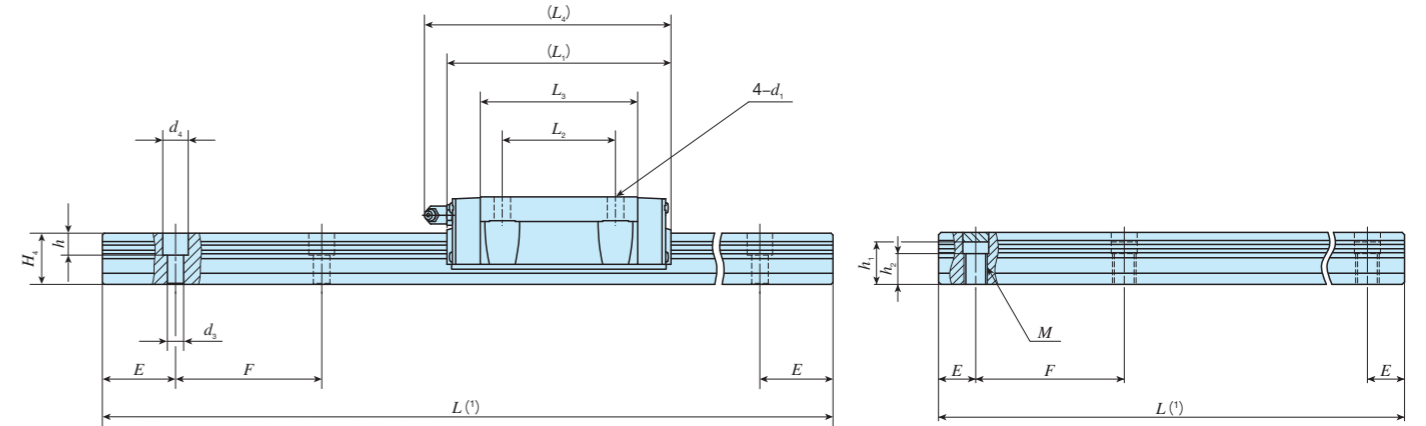
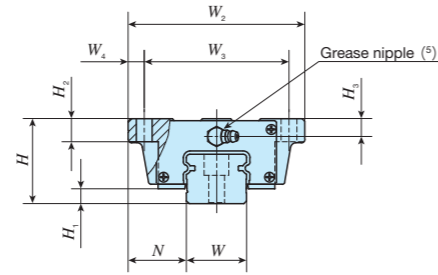
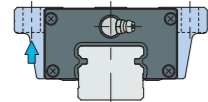
Model code	Dimensions	Part code	Model code	Dust protection code	Material code	Preload symbol	Classification symbol	Interchangeable code	Supplemental code
MH	G	20	C2	R480		T1	P		N
1	2	3	4	5	6	7	8	9	10

① Model	MH Flange type mounting from bottom	⑤ Length of track rail (480 mm)	R480	⑧ Preload amount	T1 Light preload	⑩ Interchangeable	No symbol Non-interchangeable specification
② Length of slide unit	G Standard	⑥ Dust protection code	M Ultra seal specification	T2 Medium preload	S1 S1 specification	⑪ Special specification	A, BS, D, E, F, I, J, L, LF, MA, MN, N, PS, Q, RE, T, UR, V, W, Y, Z
③ Size	15, 20, 25	MU Ultra seal specification with track rail mounting from bottom		T3 Heavy preload	S2 S2 specification		
④ Number of slide unit (2)	2	⑦ Material type	SL Stainless steel made	⑨ Accuracy class	SP Super precision		

IKO C-Lube Linear Way MH

Flange type mounting from bottom

Shape	MH · LWH				
Size	15	20	25	30	35
	45	55	65		



Ultra seal specification with track rail mounting from bottom

Identification number	Interchangeable	Mass (Ref.) Slide unit kg / Track rail kg/m	Dimensions of assembly mm			Dimensions of slide unit mm											Dimensions of track rail mm						Appended mounting bolt for track rail (3) mm Bolt size × ℓ	Basic dynamic load rating (4) C N	Basic static load rating (4) C ₀ N	Static moment rating (4) T ₀ , T _x , T _y N · m					
			H	H ₁	N	W ₂	W ₃	W ₄	L ₁	L ₂	L ₃	L ₄	d ₁	H ₂	H ₃	W	H ₄	d ₃	d ₄	h	M	h ₁ (2)				h ₂	E	F	T ₀	T _x	T _y
MH 30	○	1.28	4.82	42	31	90	72	9	113	52	80.6	123	9	10	8	28	25	9	14	12	-	-	-	40	80	M 8×28	35 400	40 700	623	536 2 820	536 2 820
LWH 30...B	○																														
LWH 30...SL	○																														
LWH 30...M*	-																														
MH 30...MU*	-	1.69	4.82	42	31	90	72	9	113	52	80.6	123	9	10	8	28	25	9	14	12	-	-	-	40	80	M 8×28	35 400	40 700	623	536 2 820	536 2 820
LWH 30...MU*	-																														
MHG 30	○																														
LWHG 30	○																														
MH 35	○	1.79	6.85	48	33	100	82	9	123	62	86.2	135	9	13	10	34	28	9	14	12	-	-	-	40	80	M 8×28	48 700	53 700	823	631 3 480	579 3 190
LWH 35...B	○																														
LWH 35...M*	-																														
LWH 35...MU*	-																														
MHG 35	○	2.35	6.85	48	33	100	82	9	123	62	86.2	135	9	13	10	34	28	9	14	12	-	-	-	40	80	M 8×28	48 700	53 700	823	631 3 480	579 3 190
LWHG 35	○																														
LWHG 35	○																														
LWHG 35	○																														
MH 45	○	3.17	10.7	60	37.5	120	100	10	147	80	103.4	158	11	15	13	45	34	14	20	17	-	-	-	52.5	105	M12×35	74 600	80 200	1 610	1 150 6 190	1 060 5 690
LWH 45...B	○																														
LWH 45...M*	-																														
LWH 45...MU*	-																														
MHG 45	○	4.34	10.7	60	37.5	120	100	10	147	80	103.4	158	11	15	13	45	34	14	20	17	-	-	-	52.5	105	M12×35	74 600	80 200	1 610	1 150 6 190	1 060 5 690
LWHG 45	○																														
LWHG 45	○																														
LWHG 45	○																														

Notes (1) Track rail lengths L are shown in Table 2.1 on page II-93, Table 2.2 on page II-94, and Tables 2.3 and 2.4 on page II-95.

(2) Choose bolts whose dimension allow fixing thread depth into track rail to be less than h_1 .

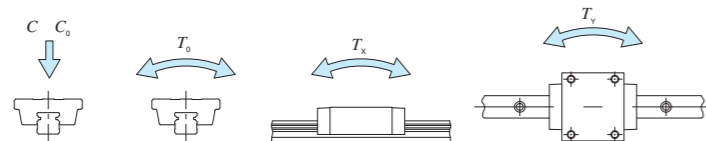
(3) The appended track rail mounting bolts are hexagon socket head bolts equivalent to JIS B 1176. For stainless steel model, stainless steel bolts are appended.

In an assembled set of MH series and LWH...MU model, track rail mounting bolts are not appended.

(4) The direction of basic dynamic load rating (C), basic static load rating (C_0), and static moment rating (T_0 , T_x , T_y) are shown in the sketches below. The upper values of T_x and T_y are for one slide unit and the lower values are for two slide units in close contact.

(5) The shapes of grease nipple vary by size. The specifications are shown in Table 15 on page II-104.

Remark: The identification numbers with * are our semi-standard items.



Example of identification number of assembled set

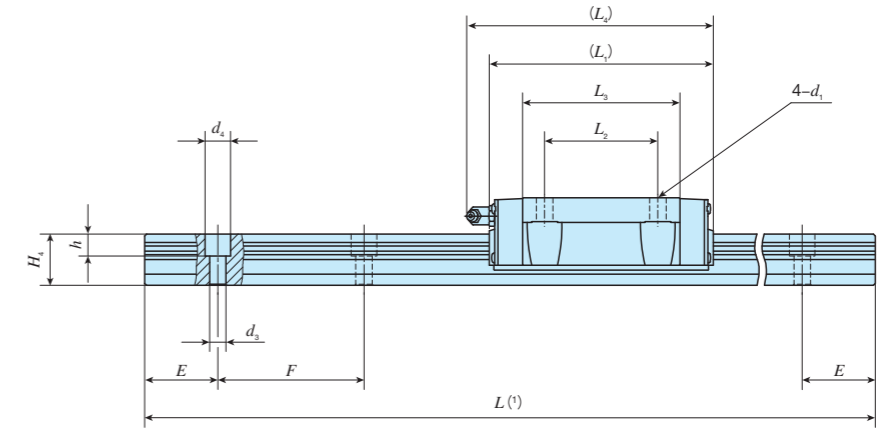
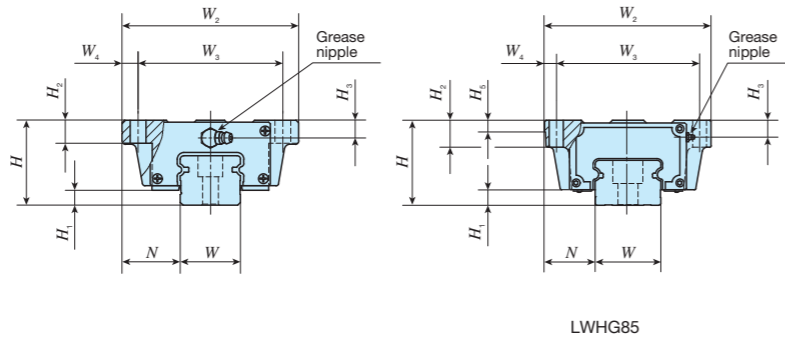
Model code	Dimensions	Part code	Model code	Dust protection code	Material code	Preload symbol	Classification symbol	Interchangeable code	Supplemental code
MH	G	35	C2	R800		T1	P		N
1	2	3	4	5	6	7	8	9	10

① Model	MH Flange type mounting from bottom	⑤ Length of track rail (800 mm)	⑧ Preload amount	T1 Standard	⑩ Interchangeable	No symbol Non-interchangeable specification
② Length of slide unit	No symbol Standard	⑥ Dust protection code	M Ultra seal specification	T2 Medium preload	S1 S1 specification	
③ Size	30, 35, 45	MU Ultra seal specification with track rail mounting from bottom	T3 Heavy preload	S2 S2 specification		
④ Number of slide unit (2)		⑦ Material type			⑪ Special specification	A, BS, D, E, F, I, J, L, LF, MA, MN, N, PS, Q, RE, T, UR, V, W, Y, Z
		No symbol High carbon steel made				
		SL Stainless steel made				
			⑨ Accuracy class	H High		
			P Precision			
			SP Super precision			

IKO C-Lube Linear Way MH

Flange type mounting from bottom

Shape	LWH				
Size	15	20	25	30	35
	45	55	65		



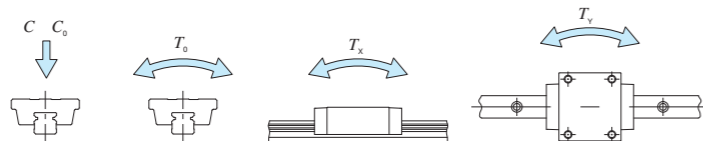
Identification number		Interchangeable	Mass (Ref.)		Dimensions of assembly mm			Dimensions of slide unit mm										Dimensions of track rail mm						Appended mounting bolt for track rail (2) mm	Basic dynamic load rating (3) C N	Basic static load rating (3) C ₀ N	Static moment rating (3) N·m				
MH series	LWH series (No C-Lube)		Slide unit kg	Track rail kg/m	H	H ₁	N	W ₂	W ₃	W ₄	L ₁	L ₂	L ₃	L ₄	d ₁	H ₂	H ₃	H ₅	W	H ₄	d ₃	d ₄	h				E	F	Bolt size × ℓ	T ₀	T _x
—	LWH 55-B	○	5.30	15.5	70	13	43.5	140	116	12	183	95	132	194	14	17	14	—	53	41	16	23	20	60	120	M14×45	113 000	121 000	2 870	2 210	2 030
—	LWHG 55	○	7.40								235		183.6	246													3 970	4 120	3 780		
—	LWH 65-B	○	12.3	22.2	90	14	53.5	170	142	14	229	110	164	239	16	23	20	—	63	48	18	26	22	75	150	M16×50	176 000	184 000	5 180	4 130	3 790
—	LWHG 65	○	17.6								303		238.8	313													7 560	8 530	7 810		

Notes (1) Track rail lengths L are shown in Table 2.1 on page II-93.

(2) The appended track rail mounting bolts are hexagon socket head bolts equivalent to JIS B 1176.

(3) The direction of basic dynamic load rating (C), basic static load rating (C_0), and static moment rating (T_0 , T_x , T_y) are shown in the sketches below. The upper values of T_x and T_y are for one slide unit and the lower values are for two slide units in close contact.

Remark: The specifications of grease nipple are shown in Table 15 on page II-104.



Example of identification number of assembled set

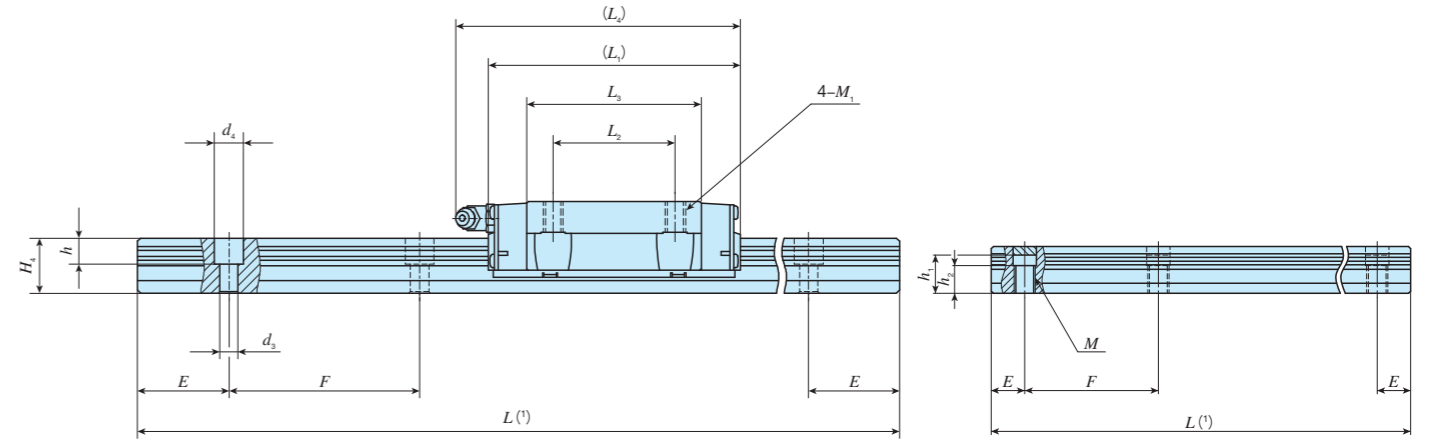
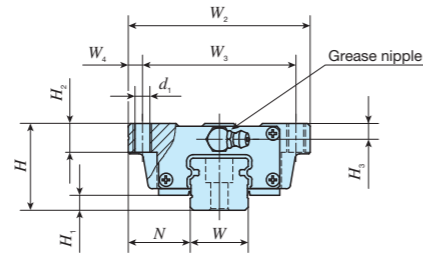
Model code	Dimensions	Part code	Model code	Preload symbol	Classification symbol	Interchangeable code	Supplemental code
LWH	G	55	C2 R1200	T1	P		N
1	2	3	4	5	6	7	8

① Model LWH(---B) Flange type mounting from bottom.	③ Size 55, 65	⑥ Preload amount No symbol Standard T1 Light preload T2 Medium preload T3 Heavy preload	⑧ Interchangeable No symbol Non-interchangeable specification S1 S1 specification S2 S2 specification
② Length of slide unit No symbol Standard G Long	④ Number of slide unit (2)	⑦ Accuracy class H High P Precision SP Super precision	⑨ Special specification A, D, E, F, I, J, L, LF, MN N, PS, Q, T, V, W, Y, Z

IKO C-Lube Linear Way MH

Flange type mounting from top

Shape	MHT · LWHT					
Size	8	10	12	15	20	25
	30	35	45	55	65	



Ultra seal specification with track rail mounting from bottom

Identification number	Interchangeable	Mass (Ref.)		Dimensions of assembly mm			Dimensions of slide unit mm										Dimensions of track rail mm								Appended mounting bolt for track rail (3) mm	Basic dynamic load rating (4) C N	Basic static load rating (4) C0 N	Static moment rating (4) N·m					
		Slide unit kg	Track rail kg/m	H	H1	N	W2	W3	W4	L1	L2	L3	L4	d1	M1	H2	H3	W	H4	d3	d4	h	M	h1(2)				h2	E	F	Bolt size × ℓ	T0	Tx
MHT 20	○	0.48	2.56	30	5	21.5	63	53	5	83	40	56	94	-	M6	10	5.5	20	18	6	9.5	8.5	-	-	-	30	60	M5×18	18 100	21 100	232	1 090	1 090
LWHT 20...B	○											57.2																					
MHT 20...SL	○											56																					
LWHT 20...SL	○											57.2																					
LWHT 20...M*	-											57.2																					
LWHT 20...MU*	-											57.2																					
MHTG 20	○	0.71							112	40	84.8	122																M5×18	24 100	31 700	349	2 140	2 140
LWHTG 20	○										86																						
MHT 25	○	0.70	3.50	36	6.5	23.5	70	57	6.5	95	45	63.9	105	-	M8	10	6.5	23	22	7	11	9	-	-	-	30	60	M6×22	25 200	28 800	362	1 690	1 690
LWHT 25...B	○											64.7																					
MHT 25...SL	○											63.9																					
LWHT 25...SL	○											64.7																					
MHT 25...M*	-											63.9																					
LWHT 25...M*	-											64.7																					
MHT 25...MU*	-	63.9																															
LWHT 25...MU*	-	64.7																															
MHTG 25	○	0.93							118	45	86.6	128																					
LWHTG 25	○										87.4																						

Notes (1) Track rail lengths L are shown in Table 2.1 on page II-93, Table 2.2 on page II-94, and Tables 2.3 and 2.4 on page II-95.

(2) Choose bolts whose dimension allow fixing thread depth into track rail to be less than h_1 .

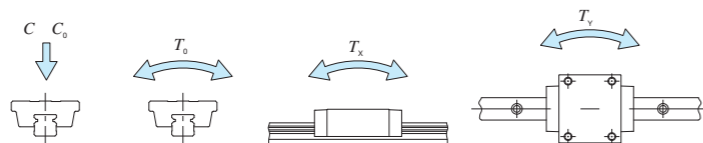
(3) The appended track rail mounting bolts are hexagon socket head bolts equivalent to JIS B 1176. For stainless steel model, stainless steel bolts are appended.

In an assembled set of MH series and LWHT...MU model, track rail mounting bolts are not appended.

(4) The direction of basic dynamic load rating (C), basic static load rating (C_0), and static moment rating (T_0 , T_x , T_y) are shown in the sketches below. The upper values of T_x and T_y are for one slide unit and the lower values are for two slide units in close contact.

Remarks 1. The specifications of grease nipple are shown in Table 15 on page II-104.

2. The identification numbers with * are our semi-standard items.



Example of identification number of assembled set

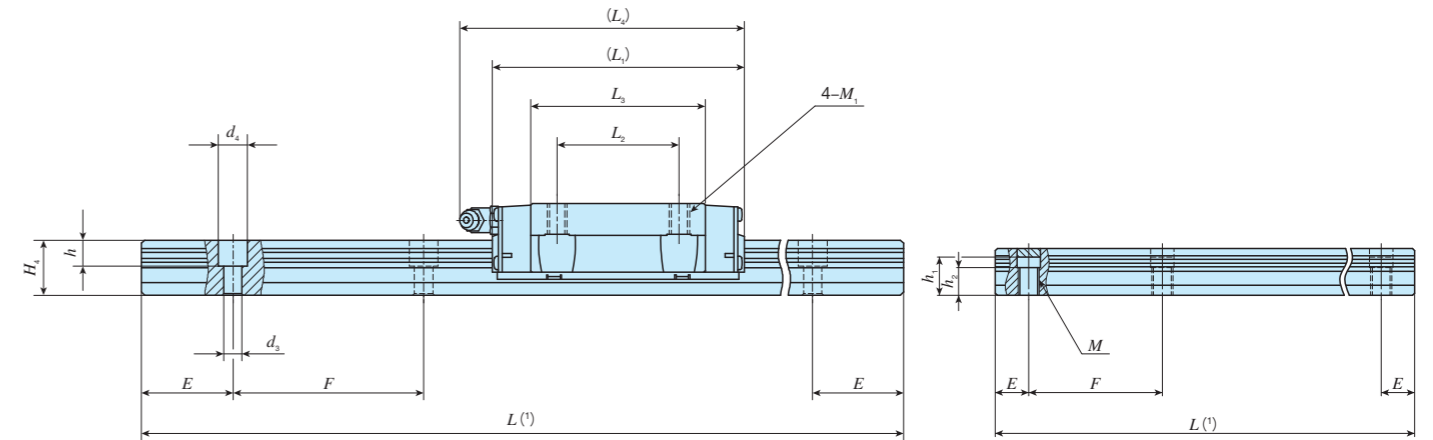
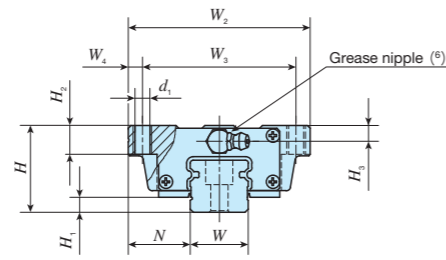
Model code	Dimensions	Part code	Model code	Dust protection code	Material code	Preload symbol	Classification symbol	Interchangeable code	Supplemental code
MHT	G	25	C2	R840		T1	P		/N
1	2	3	4	5	6	7	8	9	10

① Model MHT LWHT (...B) Flange type mounting from top	⑤ Length of track rail (840 mm)	⑧ Preload amount No symbol Standard T1 Light preload T2 Medium preload T3 Heavy preload	⑩ Interchangeable No symbol Non-interchangeable specification S1 S1 specification S2 S2 specification
② Length of slide unit No symbol Standard G Long	⑥ Dust protection code No symbol Standard specification M Ultra seal specification MU Ultra seal specification with track rail mounting from bottom	⑨ Accuracy class H High P Precision SP Super precision	⑪ Special specification A, BS, D, E, F, 1, J, L, LF, MA MN, N, PS, Q, RE, T, UR, V, W, Y, Z
③ Size 20, 25	⑦ Material type No symbol High carbon steel made SL Stainless steel made		
④ Number of slide unit (2)			

IKO C-Lube Linear Way MH

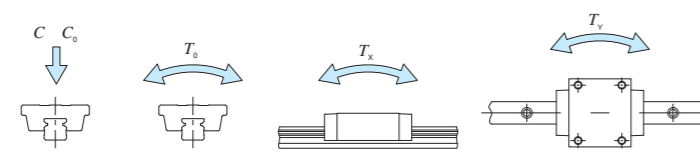
Flange type mounting from top

Shape	MHT · LWHT					
Size	8	10	12	15	20	25
	30	35	45	55	65	



Identification number	Interchangeable	Mass (Ref.)		Dimensions of assembly mm			Dimensions of slide unit mm										Dimensions of track rail mm						Appended mounting bolt for track rail (4) mm	Basic dynamic load rating (5) C N	Basic static load rating (5) C0 N	Static moment rating (5) N·m								
		Slide unit kg	Track rail kg/m	H	H1	N	W2	W3	W4	L1	L2	L3	L4	d1(2)	M1	H2	H3	W	H4	d3	d4	h				M	h1(3)	h2	E	F	Bolt size × ℓ	T0	Tx	Ty
MHT 30	○	1.28	4.82	42	7	31	90	72	9	113	52	80.6	123	-	M10	10	8	28	25	9	14	12	-	-	-	40	80	M 8×28	35 400	40 700	623	536 2 820	536 2 820	
LWHT 30...B	○																																	7
MHT 30...SL	○																																	9
LWHT 30...SL	○																																	
MHT 30...M*	-																																	
LWHT 30...M*	-																																	
MHT 30...MU*	-																																	
LWHT 30...MU*	-																																	
MHTG 30	○	1.69		42	7	31	90	72	9	113	52	80.6	123	-	M10	10	8	28	25	9	14	12	-	-	-	40	80	M 8×28	42 700	53 200	814	894 4 460	894 4 460	
LWHTG30	○																																	139
MHTL 30	○																																	185
MHT 35	○	1.79	6.85	48	8	33	100	82	9	123	62	86.2	135	-	M10	13	10	34	28	9	14	12	-	-	-	40	80	M 8×28	48 700	53 700	823	631 3 480	579 3 190	
LWHT 35...B	○																																	
LWHT 35...M*	-																																	
LWHT 35...MU*	-																																	
MHTG 35	○	2.35		48	8	33	100	82	9	151	62	114	163	-	M10	13	10	34	28	9	14	12	-	-	-	40	80	M 8×28	59 500	71 600	1 100	1 090 5 570	1 000 5 110	
LWHTG35	○																																	
MHTL 35	○	3.24		48	8	33	100	82	9	199	62	162.2	211	8.5	M10	13	10	34	28	9	14	12	-	-	-	40	80	M 8×28	76 700	103 000	1 580	2 200 10 400	2 010 9 490	

Notes (1) Track rail lengths L are shown in Table 2.1 on page II-93, Table 2.2 on page II-94, and Tables 2.3 and 2.4 on page II-95.
 (2) MHTL30 and MHTL35 can also be mounted in upward direction.
 (3) Choose bolts whose dimension allow fixing thread depth into track rail to be less than h_1 .
 (4) The appended track rail mounting bolts are hexagon socket head bolts equivalent to JIS B 1176. For stainless steel model, stainless steel bolts are appended.
 In an assembled set of MH series and LWHT...MU model, track rail mounting bolts are not appended.
 (5) The direction of basic dynamic load rating (C), basic static load rating (C_0), and static moment rating (T_0 , T_x , T_y) are shown in the sketches below. The upper values of T_x and T_y are for one slide unit and the lower values are for two slide units in close contact.
 (6) The shapes of grease nipple vary by size. The specifications are shown in Table 15 on page II-104.
 Remark: The identification numbers with * are our semi-standard items.



Example of identification number of assembled set

Model code: MHT G 35 C2 R1040
 Dimensions: 1 2 3 4 5
 Part code: 1 6 7 8 9 10 11

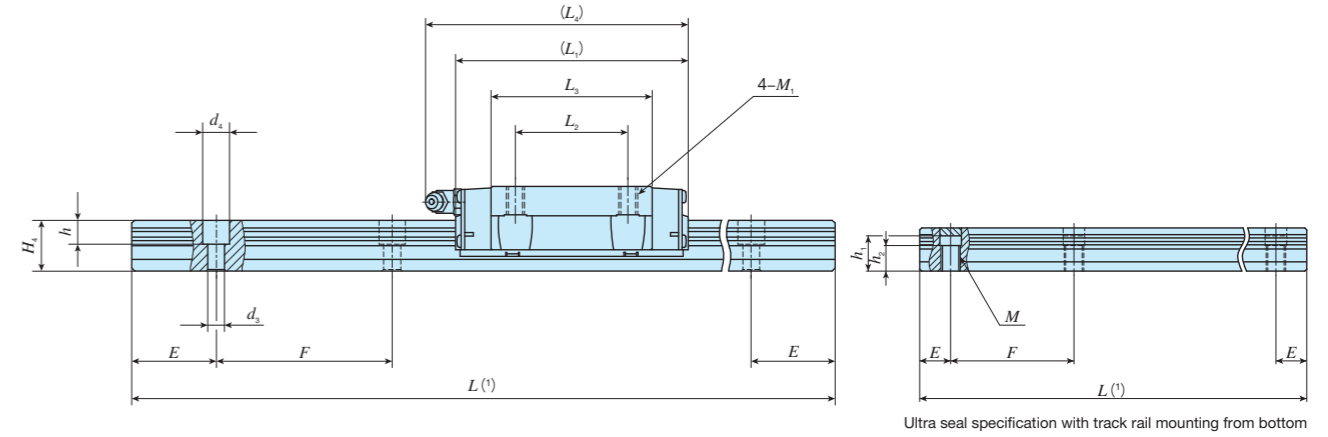
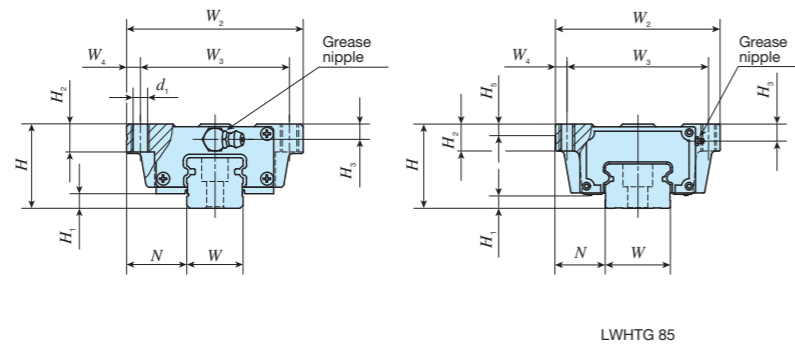
① Model MHT LWHT (...B) Flange type mounting from top	⑤ Length of track rail (1,040 mm)	⑧ Preload amount No symbol Standard T1 Light preload T2 Medium preload T3 Heavy preload	⑩ Interchangeable No symbol Non-interchangeable specification S1 S1 specification S2 S2 specification
② Length of slide unit No symbol Standard G Long L Extra long	⑥ Dust protection code No symbol Standard specification M Ultra seal specification MU Ultra seal specification with track rail mounting from bottom	⑨ Accuracy class H High P Precision SP Super precision	⑪ Special specification A, BS, D, E, F, 1, J, L, LF, MA MN, N, PS, Q, RE, T, UR, V, W, Y, Z
③ Size 30, 35	⑦ Material type No symbol High carbon steel made SL Stainless steel made		
④ Number of slide unit (2)			

MH · LWHT

IKO C-Lube Linear Way MH

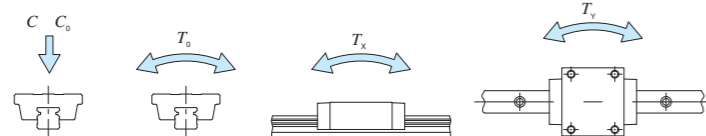
Flange type mounting from top

Shape	LWHT					
Size	8	10	12	15	20	25
	30	35	45	55	65	



Identification number	Interchangeable	Mass (Ref.) Slide unit kg Track rail kg/m	Dimensions of assembly mm			Dimensions of slide unit mm											Dimensions of track rail mm										Appended mounting bolt for track rail (4) mm Bolt size × ℓ	Basic dynamic load rating (5) C N	Basic static load rating (5) C0 N	Static moment rating (5)								
			H	H1	N	W2	W3	W4	L1	L2	L3	L4	d1(2)	M1	H2	H3	H5	W	H4	d3	d4	h	M	h1(3)	h2	E				F	T0	Tx	Ty					
MHT 45	○	3.17	10.7	60	13	37.5	120	100	10	80	147	103.4	158	-	M12	15	13	-	45	34	14	20	17	-	-	-	52.5	105	M12×35	74 600	80 200	1 610	1 150	6 190	1 060	5 690		
LWHT 45...B	○																																				10	
LWHT 45...M*	-																																				10	
MHTG 45	○	4.34	60	13	37.5	120	100	10	80	190	146.6	201	-	M12	15	13	-	45	34	14	20	17	-	-	-	52.5	105	M12×35	95 200	114 000	2 280	2 240	11 100	2 050	10 200			
LWHTG45	○																																			10		
MHTL 45	○																																			5.70	10	
LWHT 55...B	○	5.30	15.5	70	13	43.5	140	116	12	183	132	194	-	M14	17	14	-	53	41	16	23	20	-	-	-	60	120	M14×45	113 000	121 000	2 870	3 680	2 210	11 600	2 030	10 600		
LWHTG55	○																																				7.40	95
LWHT 65...B	○																																				12.3	110
LWHTG65	○	17.6	22.2	90	14	53.5	170	142	14	229	164	239	-	M16	23	20	-	63	48	18	26	22	-	-	-	75	150	M16×50	176 000	184 000	5 180	4 130	22 000	3 790	20 200			
LWHTG65	○																																			17.6	303	
	○																																			17.6	110	

Notes (1) Track rail lengths L are shown in Table 2.1 on page II-93 and Tables 2.3 and 2.4 on page II-95.
 (2) MHTL45 can also be mounted in upward direction.
 (3) Choose bolts whose dimension allow fixing thread depth into track rail to be less than h_1 .
 (4) The appended track rail mounting bolts are hexagon socket head bolts equivalent to JIS B 1176.
 In an assembled set of MH series and LWHT...MU model, track rail mounting bolts are not appended.
 (5) The direction of basic dynamic load rating (C), basic static load rating (C_0), and static moment rating (T_0 , T_x , T_y) are shown in the sketches below. The upper values of T_x and T_y are for one slide unit and the lower values are for two slide units in close contact.
 Remarks 1. The specifications of grease nipple are shown in Table 15 on page II-104.
 2. The identification numbers with * are our semi-standard items.



Example of identification number of assembled set

Model code: MHT G 45 C2 R1260 T1 P N

Dimensions: G 45 C2 R1260

Part code: T1 P N

Model code: MHT G 45 C2 R1260

Dust protection code: T1

Preload symbol: P

Classification symbol: N

Interchangeable code: N

Supplemental code: N

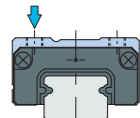
① Model MHT LWHT (...B) Flange type mounting from top	⑤ Length of track rail (1,260 mm)	⑦ Preload amount No symbol Standard T1 Light preload T2 Medium preload T3 Heavy preload	⑨ Interchangeable No symbol Non-interchangeable specification S1 S1 specification S2 S2 specification
② Length of slide unit No symbol Standard G Long L Extra long	⑥ Dust protection code No symbol Standard specification M Ultra seal specification MU Ultra seal specification with track rail mounting from bottom	⑧ Accuracy class H High P Precision SP Super precision	⑩ Special specification A, BS, D, E, F, 1, J, L, LF, MA MN, N, PS, Q, RE, T, V, W, Y, Z
③ Size 45, 55, 65	④ Number of slide unit (2)		

IKO C-Lube Linear Way MH

Block type mounting from top

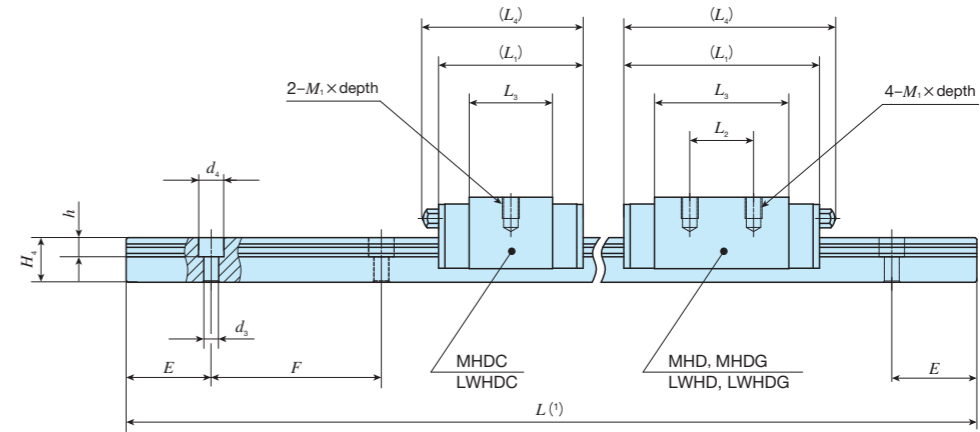
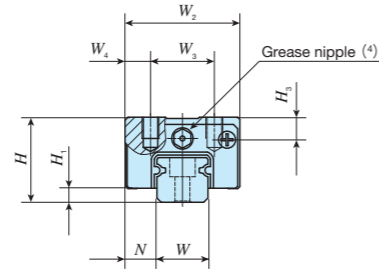
MHD · LWHD

Shape



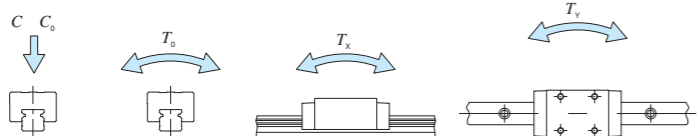
Size

8	10	12	15	25
30	35	45	55	65



Identification number	Interchangeable	Mass (Ref.)		Dimensions of assembly mm			Dimensions of slide unit mm							Dimensions of track rail mm							Appended mounting bolt for track rail (2) mm	Basic dynamic load rating (3) N	Basic static load rating (3) N	Static moment rating (3)					
		Slide unit kg	Track rail kg/m	H	H ₁	N	W ₂	W ₃	W ₄	L ₁	L ₂	L ₃	L ₄	M ₁ × depth	H ₃	W	H ₄	d ₃	d ₄	h				E	F	Bolt size × ℓ	T ₀ N · m	T _x N · m	T _y N · m
MHDC 8...SL	LWHDC 8...SL	○	0.008	0.32	11	2.1	4	16	10	3	18	—	9.0	—	M2 × 2.5	3	8	6	2.4	4.2	2.3	10	20	M2 × 8	1 050	1 270	5.3	2.2 15.5	1.8 13.0
MHD 8...SL	LWHD 8...SL	○	0.013								24	10	15.3												5.5 32.0	4.7 26.9			
MHDG 8...SL	LWHDG 8...SL	○	0.018								30.5	21.7	10.4 55.4												8.8 46.4				
MHDC 10...SL	LWHDC 10...SL	○	0.018	0.47	13	2.4	5	20	13	3.5	24	—	13.4	—	M2.6 × 3	3.5	10	7	3.5	6	3.5	12.5	25	M3 × 8	1 920	2 350	12.2	5.8 37.1	4.8 31.2
MHD 10...SL	LWHD 10...SL	○	0.026								32	12	21.4												13.3 73.8	11.1 61.9			
MHDG 10...SL	LWHDG 10...SL	○	0.035								40	29.4	10.4 123												20.0 103				
MHDC 12...SL	LWHDC 12...SL	○	0.057	0.86	20	3.2	7.5	27	15	6	34	—	19.6	—	M4 × 5	5	12	10.5	3.5	6	4.5	20	40	M3 × 12	4 560	5 300	32.8	19.4 117	16.3 98.5
MHD 12	LWHD 12	○	0.089								46	15	31.6												44.7 237	37.5 199			
MHDG 12...SL	LWHDG 12...SL	○	0.089								58	43.6	62												80.4 399	67.5 335			
MHDC 12...SL	LWHDC 12...SL	○	0.115																										
MHDG 12...SL	LWHDG 12...SL	○	0.118																										

- Notes (1) Track rail lengths L are shown in Table 2.1 on page II-93 and Table 2.2 on page II-94.
 (2) The appended track rail mounting bolts are hexagon socket head bolts equivalent to JIS B 1176. For stainless steel model, stainless steel bolts are appended.
 In an assembled set of MH series, track rail mounting bolts are not appended.
 (3) The direction of basic dynamic load rating (C), basic static load rating (C_0), and static moment rating (T_0 , T_x , T_y) are shown in the sketches below. The upper values of T_x and T_y are for one slide unit and the lower values are for two slide units in close contact.
 (4) Series of size 8 and 10 are provided with an oil hole. The specifications of oil holes are shown in Table 14 on page II-104.
 The specification of grease nipple for size 12 is shown in Table 15 on page II-104.



Example of identification number of assembled set

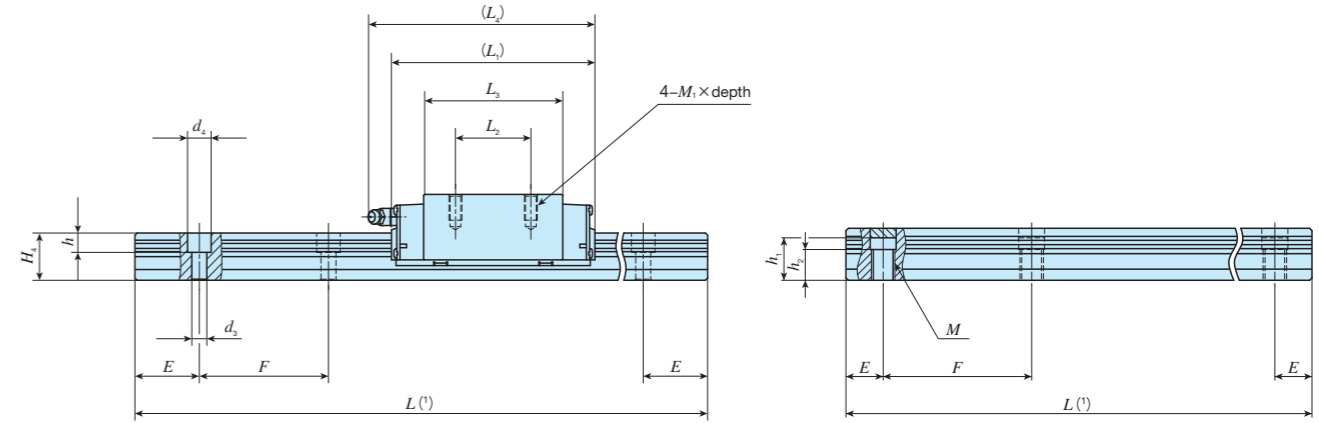
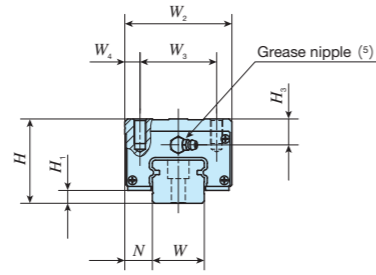
Model code	Dimensions	Part code	Material code	Preload symbol	Classification symbol	Interchangeable code	Supplemental code
MHD	G	12	C2	R320	SL	T1	P
1	2	3	4	5	6	7	8
9	10						

① Model MHD LWHD Block type mounting from top	④ Number of slide unit (2)	⑦ Preload amount T ₀ Clearance No symbol Standard T ₁ Light preload	⑩ Interchangeable No symbol Non-interchangeable specification S1 S1 specification S2 S2 specification
② Length of slide unit C Short No symbol Standard G Long	⑤ Length of track rail (320 mm)	⑧ Accuracy class H High P Precision	⑪ Special specification A, D, E, F, I, LR, MA MN, N, Q, U, W, Y
③ Size 8, 10, 12	⑥ Material type No symbol High carbon steel made SL Stainless steel made		

IKO C-Lube Linear Way MH

Block type mounting from top

Shape	MHD · LWHD				
Size	8	10	12	15	25
	30	35	45	55	65

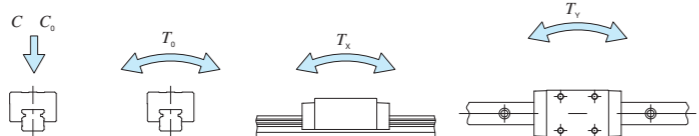


Ultra seal specification with track rail mounting from bottom

Identification number	Interchangeable	Mass (Ref.)		Dimensions of assembly mm			Dimensions of slide unit mm							Dimensions of track rail mm							Appended mounting bolt for track rail (3) mm	Basic dynamic load rating (4) C N	Basic static load rating (4) C0 N	Static moment rating (4)								
		Slide unit kg	Track rail kg/m	H	H1	N	W2	W3	W4	L1	L2	L3	L4	M1 x depth	H3	W	H4	d3	d4	h				M	h1(2)	h2	E	F	Bolt size x l	T0 N·m	Tx N·m	Ty N·m
MHD 15	○	0.23	1.47	28	4.5	9.5	34	26	4	66	26	44.2	69	M4 x 10	8.5	15	15	4.5	8	6	-	-	-	30	60	M4 x 16	11 600	13 400	112	95.6 556	95.6 556	
LWHD 15-B	○											44.6																				M6 x 12
LWHD 15-M*	-											44.6																				
MHD 25	○	0.65	3.50	40	6.5	12.5	48	35	6.5	95	35	63.9	105	M6 x 12	10.5	23	22	7	11	9	-	-	-	30	60	M6 x 22	25 200	28 800	362	309 690	309 690	
LWHD 25-B	○											64.7																				
MHD 25-M*	-											63.9																				
LWHD 25-M*	-											64.7																				
MHD 25-MU*	-											63.9																				
MHDG 25	○	0.80	LWHDG25	118	50	86.6	128	M8 x 16	11	28	25	9	14	12	-	-	-	40	80	M8 x 28	35 400	40 700	623	536 2 820	536 2 820							
LWHDG25	○					87.4																										
MHD 30	○	1.12	4.82	45	16	60	40	10	113	40	80.6	123	M8 x 16	11	28	25	-	-	-	M12	20	13	40	80	M8 x 28	42 700	53 200	814	894 4 460	894 4 460		
LWHD 30-B	○																														9	
MHD 30-M*	-																														7	
MHD 30-MU*	-																														7	
MHDG 30	○	1.44	LWHDG30	139	60	106.6	149	M8 x 28	11	28	25	9	14	12	-	-	-	40	80	M8 x 28	42 700	53 200	814	894 4 460	894 4 460							
LWHDG30	○					9																										
MHDL 30	○	1.92	-	185	60	152.2	194	M8 x 28	11	28	25	9	14	12	-	-	-	40	80	M8 x 28	54 400	75 100	1 150	1 740 8 240	1 740 8 240							

Notes (1) Track rail lengths L are shown in Table 2.1 on page II-93 and Tables 2.3 and 2.4 on page II-95.
 (2) Choose bolts whose dimension allow fixing thread depth into track rail to be less than h_1 .
 (3) The appended track rail mounting bolts are hexagon socket head bolts equivalent to JIS B 1176. In an assembled set of MH series and LWHD...MU model, track rail mounting bolts are not appended.
 (4) The direction of basic dynamic load rating (C), basic static load rating (C_0), and static moment rating (T_0 , T_x , T_y) are shown in the sketches below. The upper values of T_x and T_y are for one slide unit and the lower values are for two slide units in close contact.
 (5) The shapes of grease nipple vary by size. The specifications are shown in Table 15 on page II-104.

Remark: The identification numbers with * are our semi-standard items.



Example of identification number of assembled set

Model code	Dimensions	Part code	Model code	Dust protection code	Preload symbol	Classification symbol	Interchangeable code	Supplemental code
MHD	G	25	C2	R840	T1	P		N
1	2	3	4	5	6	7	8	9

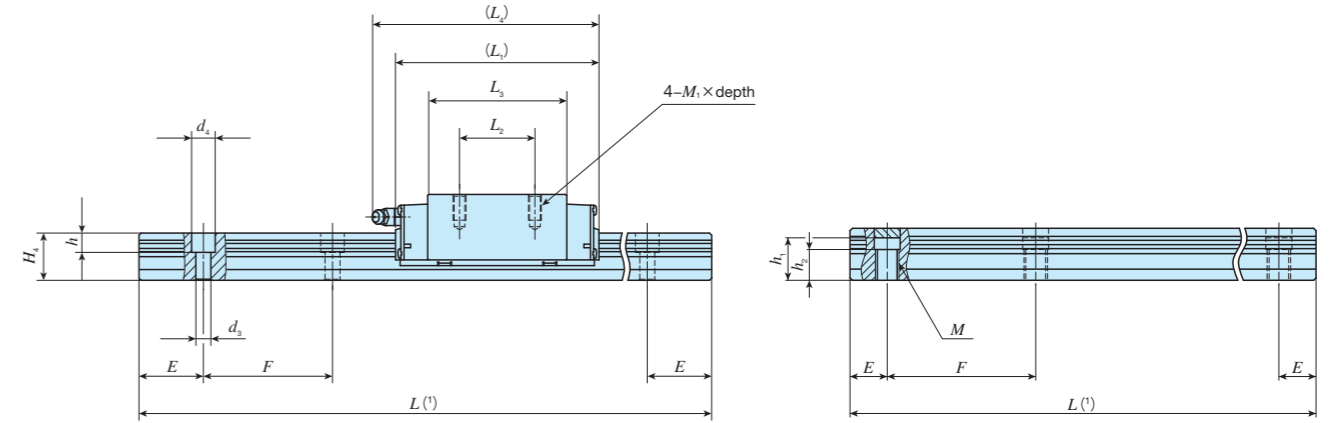
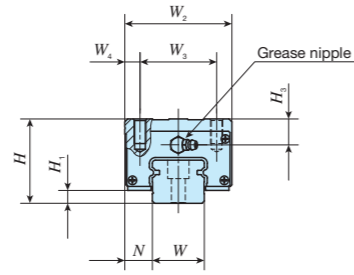
1 Model MHD LWHD(...B) Block type mounting from top	4 Number of slide unit (2) 2	7 Preload amount No symbol Standard T1 Light preload T2 Medium preload T3 Heavy preload	9 Interchangeable No symbol Non-interchangeable specification S1 S1 specification S2 S2 specification
2 Length of slide unit No symbol Standard G Long L Extra long	5 Length of track rail (840 mm) 840	8 Accuracy class H High P Precision SP Super precision	10 Special specification A, BS, D, E, F, I, J, L, LF, MA MN, N, PS, Q, RE, T, UR, V, W, Y, Z
3 Size 15, 25, 30	6 Dust protection code No symbol Standard specification M Ultra seal specification MU Ultra seal specification with track rail mounting from bottom		

MH · LWHD

IKO C-Lube Linear Way MH

Block type mounting from top

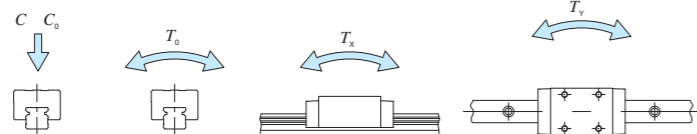
Shape	MHD · LWHD				
Size	8	10	12	15	25
	30	35	45	55	65



Ultra seal specification with track rail mounting from bottom

Identification number	Interchangeable	Mass (Ref.)		Dimensions of assembly mm			Dimensions of slide unit mm							Dimensions of track rail mm							Appended mounting bolt for track rail (3) mm	Basic dynamic load rating (4) N	Basic static load rating (4) N	Static moment rating (4)						
		Slide unit kg	Track rail kg/m	H	H ₁	N	W ₂	W ₃	W ₄	L ₁	L ₂	L ₃	L ₄	M ₁ × depth	H ₃	W	H ₄	d ₃	d ₄	h				M	h ₁ (2)	h ₂	E	F	Bolt size × ℓ	C
MHD 35	○	1.74	6.85	55	10	70	50	10	123	50	86.2	135	M 8 × 16	17	34	28	9	14	12	-	-	-	40	80	M 8 × 28	48 700	53 700	823	631 3 480	579 3 190
LWHD 35...B	○				8																									
LWHD 35...M*	-				18																									
MHDG 35	○	2.26	6.85	55	10	70	50	10	151	72	114	163	M 8 × 16	17	34	28	9	14	12	-	-	-	40	80	M 8 × 28	59 500	71 600	1 100	1 090 5 570	1 000 5 110
LWHDG35	○				8																									
MHDL 35	○				9																									
MHD 45	○	3.30	10.7	70	13	86	60	13	147	60	103.4	158	M10 × 20	23	45	34	14	20	17	-	-	-	52.5	105	M12 × 35	74 600	80 200	1 610	1 150 6 190	1 060 5 690
LWHD 45...B	○				14																									
LWHD 45...M*	-				10																									
MHDG 45	○	4.57	10.7	70	13	86	60	13	190	80	146.6	201	M10 × 20	23	45	34	14	20	17	-	-	-	52.5	105	M12 × 35	95 200	114 000	2 280	2 240 11 100	2 050 10 200
LWHDG45	○				14																									
MHDL 45	○				12																									
MHD 55	○	5.36	15.5	80	17	100	75	12.5	183	75	132	194	M12 × 25	24	53	41	16	23	20	-	-	-	60	120	M14 × 45	113 000	121 000	2 870	2 210 11 600	2 030 10 600
LWHD 55...B	○				17																									
LWHDG55	○				7.20																									
MHD 65	○	9.80	22.2	90	18	126	76	25	229	70	164	239	M16 × 30	20	63	48	18	26	22	-	-	-	75	150	M16 × 50	176 000	184 000	5 180	4 130 22 000	3 790 20 200
LWHD 65...B	○				18																									
LWHDG65	○				14.3																									

Notes (1) Track rail lengths L are shown in Table 2.1 on page II-93 and Tables 2.3 and 2.4 on page II-95.
 (2) Choose bolts whose dimension allow fixing thread depth into track rail to be less than h_1 .
 (3) The appended track rail mounting bolts are hexagon socket head bolts equivalent to JIS B 1176. In an assembled set of MH series and LWHD...MU model, track rail mounting bolts are not appended.
 (4) The direction of basic dynamic load rating (C), basic static load rating (C_0), and static moment rating (T_0 , T_x , T_y) are shown in the sketches below. The upper values of T_x and T_y are for one slide unit and the lower values are for two slide units in close contact.
 Remarks 1. The specifications of grease nipple are shown in Table 15 on page II-104.
 2. The identification numbers with * are our semi-standard items.



Example of identification number of assembled set

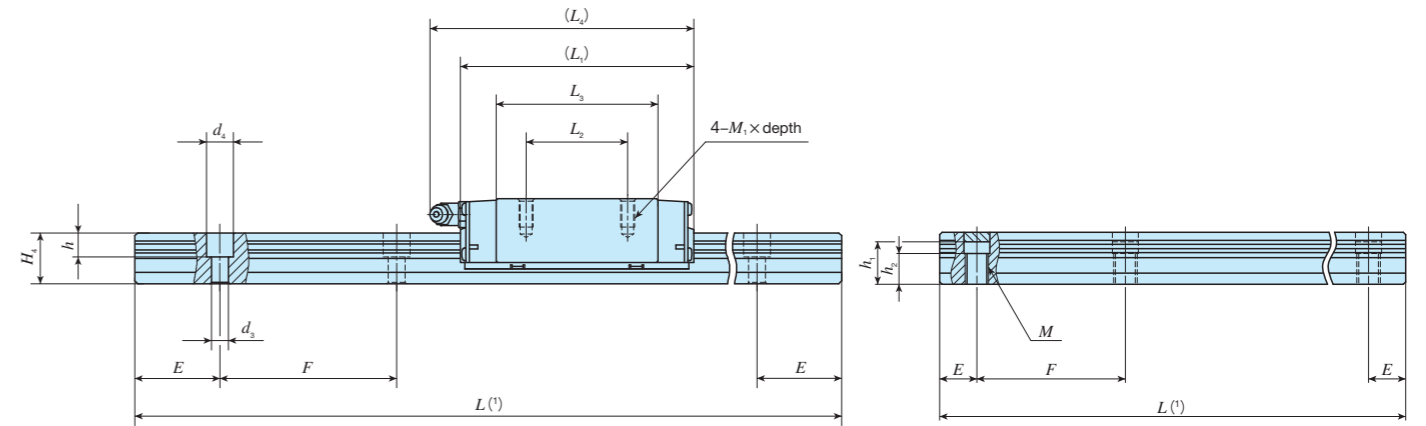
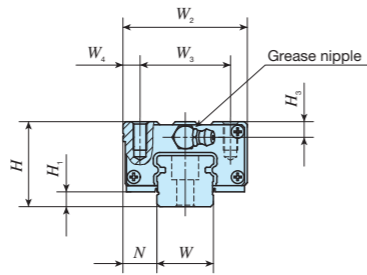
Model code	Dimensions	Part code	Model code	Dust protection code	Preload symbol	Classification symbol	Interchangeable code	Supplemental code
MHD	G	45	C2	R1260	T1	P	N	
1	2	3	4	5	6	7	8	9

① Model MHD LWHD(...B) Block type mounting from top	④ Number of slide unit (2)	⑦ Preload amount No symbol Standard T1 Light preload T2 Medium preload T3 Heavy preload	⑩ Interchangeable No symbol Non-interchangeable specification S1 S1 specification S2 S2 specification
② Length of slide unit No symbol Standard G Long L Extra long	⑤ Length of track rail (1,260 mm)	⑧ Accuracy class H High P Precision SP Super precision	⑨ Special specification A, D, E, F, I, J, L, LF, MA MN, N, PS, Q, T, V, W, Y, Z
③ Size 35, 45, 55, 65	⑥ Dust protection code No symbol Standard specification M Ultra seal specification MU Ultra seal specification with track rail mounting from bottom		

IKO C-Lube Linear Way MH

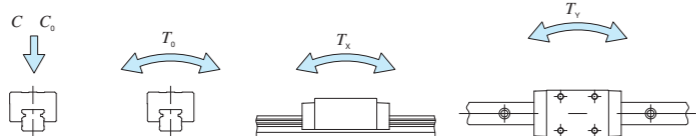
Compact block type mounting from top

Shape	MHS · LWHS			
Size	15	20	25	30



Identification number	Interchangeable	Mass (Ref.)		Dimensions of assembly mm			Dimensions of slide unit mm							Dimensions of track rail mm								Appended mounting bolt for track rail (3) mm	Basic dynamic load rating (4) C N	Basic static load rating (4) C0 N	Static moment rating (4) N·m							
		Slide unit kg	Track rail kg/m	H	H1	N	W2	W3	W4	L1	L2	L3	L4	M1×depth	H3	W	H4	d3	d4	h	M				h1(2)	h2	E	F	T0	Tx	Ty	
MHS 25	○	0.55	3.50	36	6.5	12.5	48	35	6.5	95	35	63.9	105	M6×12	6.5	23	22	7	11	9	-	-	-	30	60	M6×22	25 200	28 800	362	1 309	1 690	
LWHS 25···B	○											64.7																				
MHS 25···SL	○											63.9																				
LWHS 25···SL	○											64.7																				
MHS 25···M*	-											63.9																				
LWHS 25···M*	-											64.7																				
MHS 25···MU*	-	63.9																														
LWHS 25···MU*	-	64.7																														
MHSG 25	○	0.67								118	50	86.6	128											40	80	M6×22	30 800	38 300	483	2 533	2 740	
LWHS 25	○											87.4																				
MHS 30	○	1.00	4.82	42	7	16	60	40	10	113	40	80.6	123	M8×16	8	28	25	9	14	12	-	-	-	40	80	M8×28	35 400	40 700	623	2 536	2 820	
LWHS 30···B	○											9																				
MHS 30···SL	○											7																				
LWHS 30···SL	○											9																				
MHS 30···M*	-											7																				
LWHS 30···M*	-											7																				
MHS 30···MU*	-	7																														
LWHS 30···MU*	-	7																														
MHSG 30	○	1.29								139	60	106.6	149												40	80	M8×28	42 700	53 200	814	4 894	4 460
LWHS 30	○											9																				
LWHS 30	○	7																														

Notes (1) Track rail lengths L are shown in Table 2.1 on page II-93, Table 2.2 on page II-94, and Tables 2.3 and 2.4 on page II-95.
 (2) Choose bolts whose dimension allow fixing thread depth into track rail to be less than h_1 .
 (3) The appended track rail mounting bolts are hexagon socket head bolts equivalent to JIS B 1176. For stainless steel model, stainless steel bolts are appended.
 In an assembled set of MH series and LWHS···MU model, track rail mounting bolts are not appended.
 (4) The direction of basic dynamic load rating (C), basic static load rating (C_0), and static moment rating (T_0 , T_x , T_y) are shown in the sketches below. The upper values of T_x and T_y are for one slide unit and the lower values are for two slide units in close contact.
 Remarks 1. The specifications of grease nipple are shown in Table 15 on page II-104.
 2. The identification numbers with * are our semi-standard items.



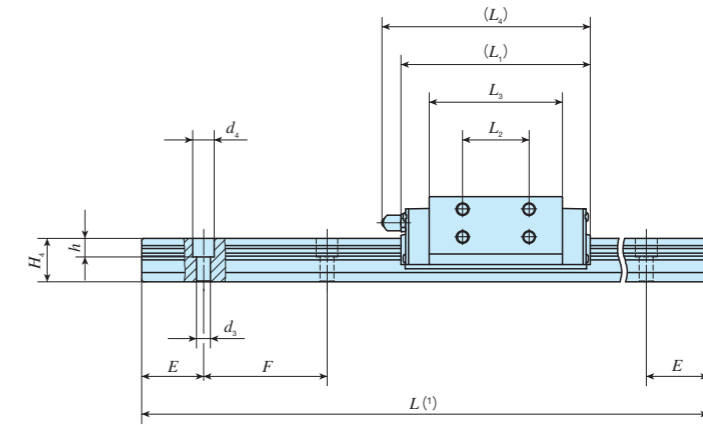
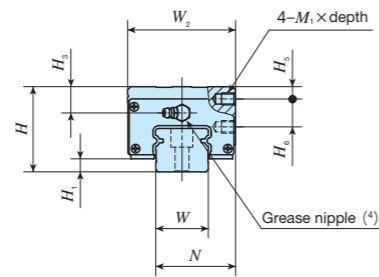
Example of identification number of assembled set

Model code	Dimensions	Part code	Model code	Dust protection code	Material code	Preload symbol	Classification symbol	Interchangeable code	Supplemental code
MHS	G	30	C2	R480		T1	P		N
1	2	3	4	5	6	7	8	9	10

① Model MHS LWHS(···B)	⑤ Length of track rail (480 mm)	⑧ Preload amount No symbol Standard T1 Light preload T2 Medium preload T3 Heavy preload	⑩ Interchangeable No symbol Non-interchangeable specification S1 S1 specification S2 S2 specification
② Length of slide unit No symbol Standard G Long	⑥ Dust protection code No symbol Standard specification M Ultra seal specification MU Ultra seal specification with track rail mounting from bottom	⑨ Accuracy class H High P Precision SP Super precision	⑪ Special specification A, BS, D, E, F, 1, J, L, LF, MA MN, N, PS, Q, RE, T, UR, V, W, Y, Z
③ Size 25, 30	⑦ Material type No symbol High carbon steel made SL Stainless steel made		
④ Number of slide unit (2)			

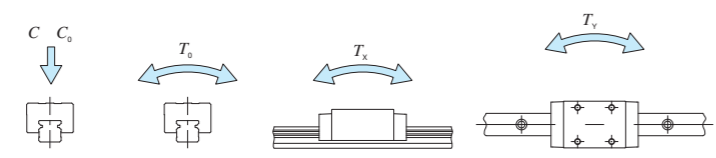
IKO C-Lube Linear Way MH

Side mounting type				
Shape	LWHY			
Size	15	20	25	30
	35	45		



Identification number	Interchangeable	Mass (Ref.)		Dimensions of assembly mm			Dimensions of slide unit mm							Dimensions of track rail mm							Appended mounting bolt for track rail (2) mm	Basic dynamic load rating (3) N	Basic static load rating (3) N	Static moment rating (3)					
		Slide unit kg	Track rail kg/m	H	H1	N	W2	L1	L2	L3	L4	M1×depth	H3	H5	H6	W	H4	d3	d4	h				E	F	T0	Tx	Ty	
—	LWHY 15*	—	0.23	1.47	28	4.5	24.3	34	66	18	44.6	69	M 4×4	8.5	4	9	15	15	4.5	8	6	30	60	M 4×16	9 360	13 900	116	99.2	99.2
—	LWHY 20*	—	0.36	2.56	30	5	31.5	43.7	83	25	57.2	94	M 5×5	5.5	4	10	20	18	6	9.5	8.5	30	60	M 5×18	14 500	21 900	241	202	202
—	LWHY 25*	—	0.65	3.50	40	6.5	35	47.7	95	30	64.7	105	M 6×6	10.5	6	12	23	22	7	11	9	30	60	M 6×22	20 100	29 800	376	320	320
—	LWHY 30*	—	1.12	4.82	45	7	43.5	59.7	113	40	80.6	123	M 6×7	11	8	14	28	25	9	14	12	40	80	M 8×28	28 100	42 200	646	556	556
—	LWHY 35*	—	1.74	6.85	55	8	51.5	69.7	123	43	86.2	135	M 8×9	17	8	18	34	28	9	14	12	40	80	M 8×28	31 200	43 500	878	665	601
—	LWHY 45*	—	3.30	10.7	70	10	65	85.7	147	55	103.4	158	M10×11	23	10	22	45	34	14	20	17	52.5	105	M12×35	47 600	65 000	1 720	1 200	1 100

Notes (1) Track rail lengths L are shown in Table 2.1 on page II-93.
 (2) The appended track rail mounting bolts are hexagon socket head bolts equivalent to JIS B 1176.
 (3) The direction of basic dynamic load rating (C), basic static load rating (C_0), and static moment rating (T_0 , T_x , T_y) are shown in the sketches below. The upper values of T_x and T_y are for one slide unit and the lower values are for two slide units in close contact.
 (4) The shapes of grease nipple vary by size. The specifications are shown in Table 15 on page II-104.
 Remark: The identification numbers with * are our semi-standard items.



Example of identification number of assembled set

Model code	Dimensions	Part code	Preload symbol	Classification symbol	Supplemental code
LWHY	30	C2 R480	T1	P	/N
①	②	③	④	⑤	⑥

① Model
LWHY Side mounting type

② Size
15, 20, 25, 30, 35, 45

③ Number of slide unit (2)

④ Length of track rail (480 mm)

⑤ Preload amount
No symbol Standard
T1 Light preload
T2 Medium preload
T3 Heavy preload

⑥ Accuracy class
H High
P Precision
SP Super precision

⑦ Special specification
A, E, F, I, L, LF, MA, N, PS, RE, Y, Z